

JOB NAME:

QUANTITY:

ITEM NO.:

PRODUCT NAME:

DrainKing WASTE VALVE ROUGH CHROME

SPECIAL CONFIGURATION
(CHECK BASE MODEL AND OPTIONS)

MODEL:

- 28959 w/ LOCKING BASKET STRAINER & 19" X 21" OVERFLOW
- 28975 w/ LOCKING BASKET STRAINER & 14" X 16" OVERFLOW

OPTIONS OR MODIFICATIONS:

OTHER _____

FEATURES:

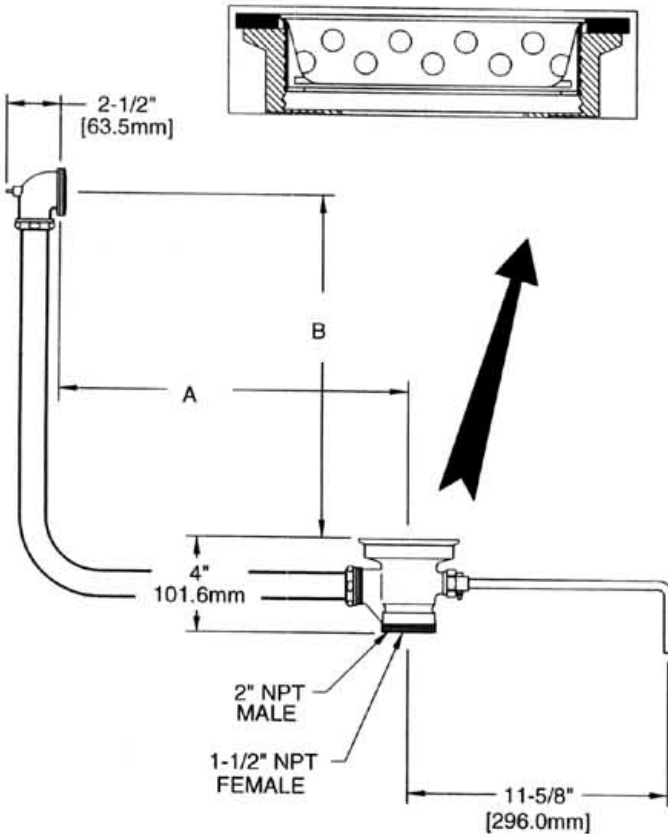
- * DUAL TEFLON SEALS
- * STAINLESS STEEL BALL
- * CAST RED BRASS BODY, CHROME PLATED
- * EXTRA STURDY CLAMPING RING
- * "CLEAR THROUGH" OPENING - NO NEED TO DISASSEMBLE IF SNAKING IS REQUIRED
- * INDUSTRY STANDARD "SEALING" ANGLE - FITS FLUSH TO STANDARD STAINLESS STEEL SINKS
- * STAINLESS STEEL LOCKING BASKET STRAINER
- * 1/4 TURN FULLY OPENS AND CLOSES VALVE

DRAIN RATE:

- * 12 GPM

SHIPPING WEIGHT

- * 10.0 LBS



MODEL	19" X 21"	
	DIM "A"	DIM "B"
28959	19" [482.6mm]	19-1/4" [489.0mm]

MODEL	14" X 16"	
	DIM "A"	DIM "B"
28975	14" [355.6mm]	14-1/4" [362.0mm]

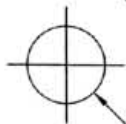
ROUGH-IN:

OVERFLOW



Ø1-5/8"
[41.3mm]

DRAIN



Ø3-1/2"
[88.9mm]

ANSI/A112.18.1M