

APPLICATION:

PRODUCT NAME:
WALL BRACKET

JOB NAME:

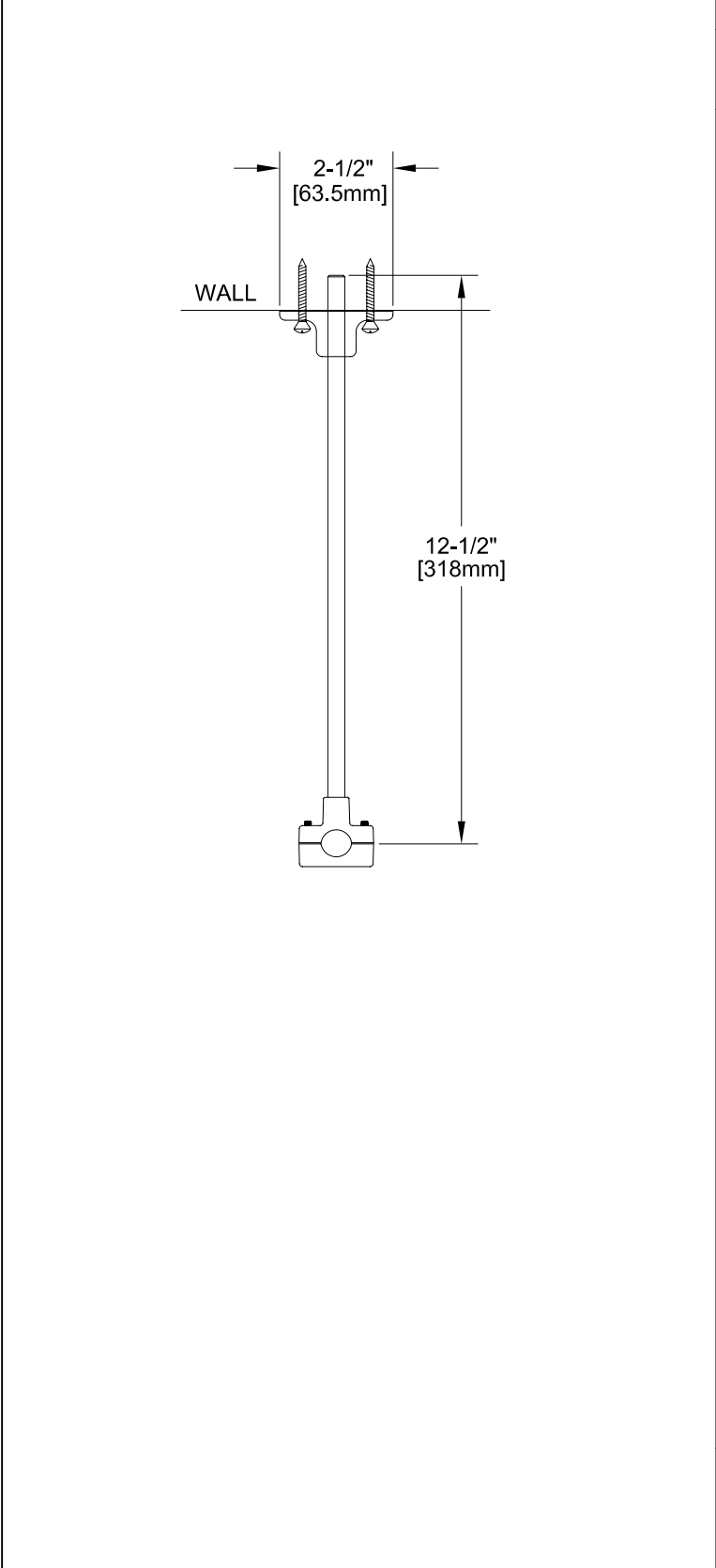
SPECIAL CONFIGURATION
 CHECK BASE MODEL AND OPTIONS

QUANTITY:

ITEM NO.

MODEL:
 2902-12


OPTIONS OR MODIFICATIONS:
 OTHER _____



FEATURES

WALL BRACKET
* ADJUSTS FROM 2" TO 12"

SHIPPING WEIGHT
* 1.0 LB

 ANSI/A112.18.1M

FISHER
 FISHER MANUFACTURING COMPANY
 TOLL FREE: 800-421-6162 - FAX: 800-832-8238
 information@fisher-mfg.com - www.fisher-mfg.com