

APPLICATION:

PRODUCT NAME:  
**WATER INLET FITTING - 1/2" INLET**

JOB NAME:

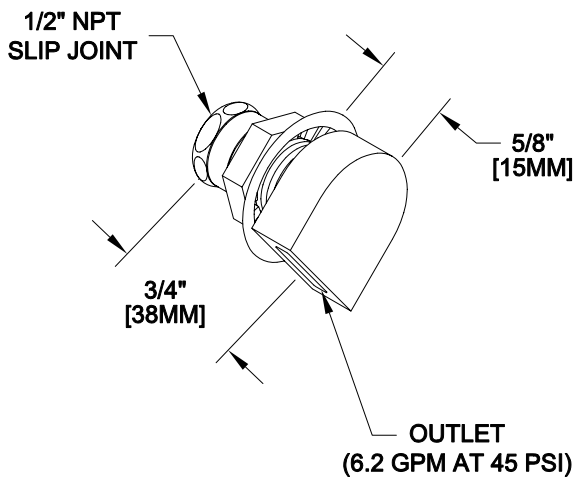
SPECIAL CONFIGURATION  
 CHECK BASE MODEL AND OPTIONS

QUANTITY:

ITEM NO.

MODEL:  
 2906

OPTIONS OR MODIFICATIONS:  
 OTHER \_\_\_\_\_



**FEATURES**

\* 1/2" NPT INLET

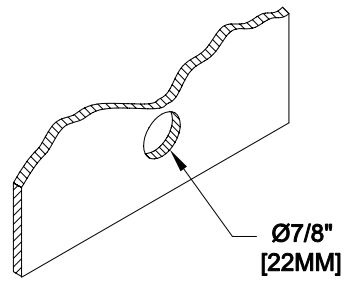
**SYSTEM LIMITS**

- \* TEMP: 40°F MIN. TO 140°F MAX.
- \* PRESSURE 200 PSI MAX. STATIC
- \* 6.2 GPM AT 45 PSI

**SHIPPING WEIGHT**

\* 0.5 LBS

**ROUGH-IN:**



FISHER MANUFACTURING COMPANY  
 TOLL FREE: 800-421-6162 - FAX: 800-832-8238  
 information@fisher-mfg.com - www.fisher-mfg.com