

APPLICATION:

PRODUCT NAME:
SWIVEL HOSE ADAPTER WITH 1/4"
FEMALE OUTLET

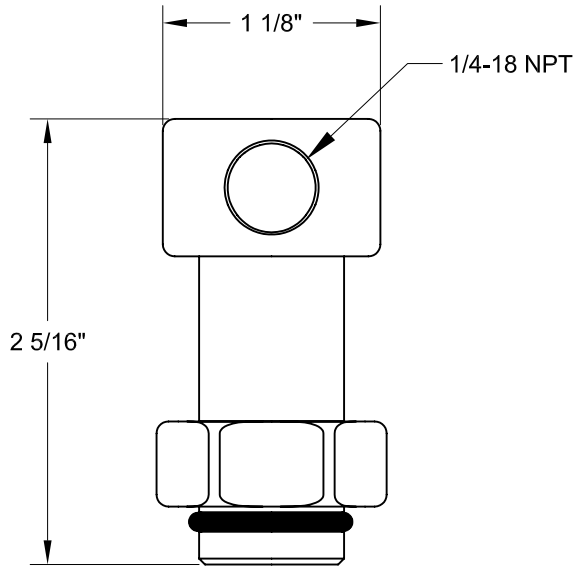
JOB NAME:

MODEL:

QUANTITY:

ITEM NO.

2931 SWIVEL HOSE ADAPTER



SYSTEM LIMITS
* TEMP: 40°F MIN. TO 140°F MAX.
* PRESSURE 200 PSI MAX. STATIC

SHIPPING WEIGHT
* .75 LBS

ANSI/A112.18.1M

FISHER
FISHER MANUFACTURING COMPANY
TOLL FREE: 800-421-6162 - FAX: 800-832-8238
information@fisher-mfg.com - www.fisher-mfg.com