

APPLICATION:

PRODUCT NAME:
POT FILLER GOOSENECK WITH HANDLE

JOB NAME:

SPECIAL CONFIGURATION
 CHECK BASE MODEL AND OPTIONS

QUANTITY:

ITEM NO.

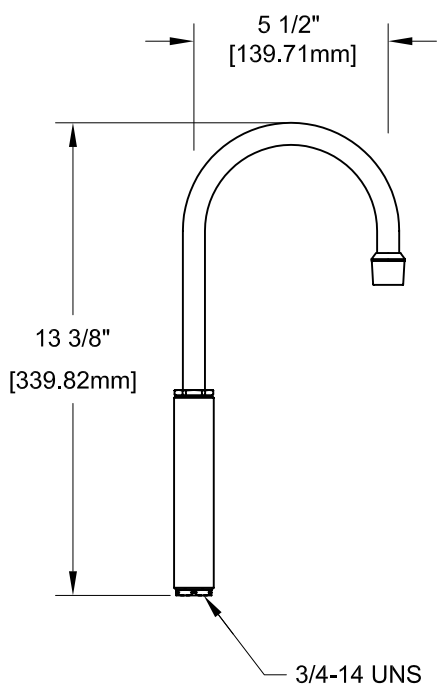
MODEL:
 2947

OPTIONS OR MODIFICATIONS:
 OTHER _____

FEATURES

SYSTEM LIMITS
* TEMP: 40°F MIN. TO 140°F MAX.
* PRESSURE: 200 PSI MAX. STATIC
* 5.0 GPM @ 80 PSI

SHIPPING WEIGHT
* .875 LBS



ANSI/A112.18.1M

FISHER
 FISHER MANUFACTURING COMPANY
 TOLL FREE: 800-421-6162 - FAX: 800-832-8238
 information@fisher-mfg.com - www.fisher-mfg.com