

APPLICATION:

PRODUCT NAME:  
**QUICK DISCONNECT SPRAY  
 VALVE PLUS KIT**

JOB NAME:

MODEL:

QUANTITY:

ITEM NO.:

29500

OPTIONS OR MODIFICATIONS:

OTHER \_\_\_\_\_

FEATURES:

KIT INCLUDES THE FOLLOWING:

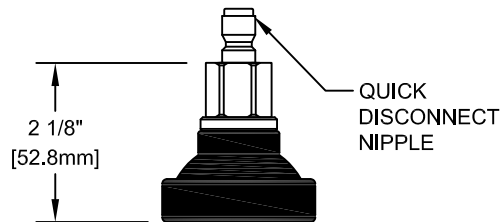
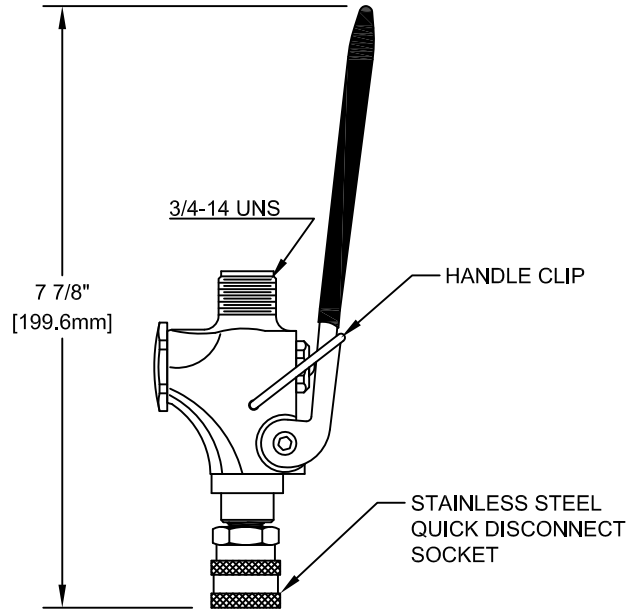
- \* ULTRA SPRAY VALVE PLUS WITH QUICK DISCONNECT
- \* QD FAN SPRAY NOZZLE 1.15 GPM @ 60PSI
- \* QD JET SPRAY NOZZLE 2.7 GPM @ 60 PSI
- \* QD SHOWER SPRAY NOZZLE 2.65 @ 80 PSI
- \* SPRAY CLEANING BRUSH

SYSTEM LIMITS

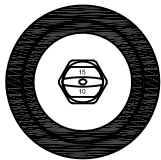
- \* TEMP: 40°F MIN. TO 140°F MAX.
- \* PRESSURE: 200 PSI MAX. STATIC
- \* 1.15 GPM AT 60 PSI

SHIPPING WEIGHT

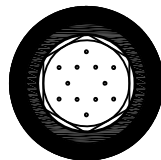
- \* 2.0 LBS



QUICK DISCONNECT  
 JET SPRAY NOZZLE



QUICK DISCONNECT  
 FAN SPRAY NOZZLE



QUICK DISCONNECT  
 SHOWER SPRAY NOZZLE

ANSI/A112.18.1M, ANSI/NSF 61.9

**FISHER**

FISHER MANUFACTURING COMPANY  
 TOLL FREE: 800-421-6162 - FAX: 800-832-8238  
 information@fisher-mfg.com - www.fisher-mfg.com