

JOB NAME:

QUANTITY:

ITEM NO.:

PRODUCT NAME:

SINGLE WALL SILL FAUCET W/ VACUUM BREAKER, KEY HANDLE

_____ SPECIAL CONFIGURATION

MODEL: (CHECK BASE MODEL AND OPTIONS)

29548

OPTIONS OR MODIFICATIONS:

- SUPPLY LINES (24" OR 36") CIRCLE LENGTH
- NIPPLES
- ELBOWS
- HANDLES (CROSS OR WRIST) CIRCLE STYLE
- OTHER _____

FEATURES:

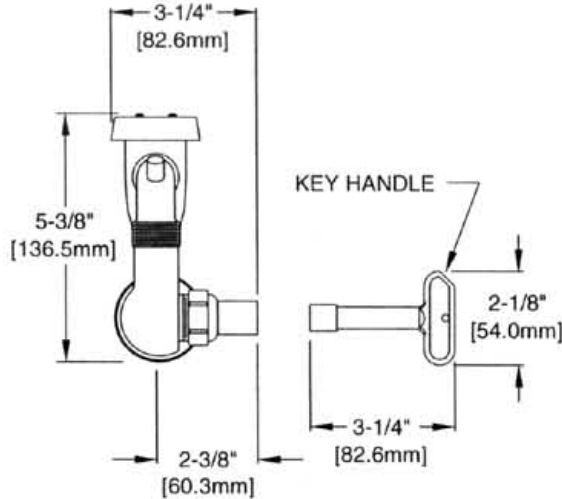
- * SINGLE WALL
- * KEY HANDLE
- * STEM - RIGHT HAND
- * SWIVELLING SEAT DISKS
- * STAINLESS STEEL SEATS
- * STAINLESS STEEL SEAT SCREWS
- * ATMOSPHERIC VACUUM BREAKER
- * GARDEN HOSE THREADED SPOUT

SYSTEM LIMITS

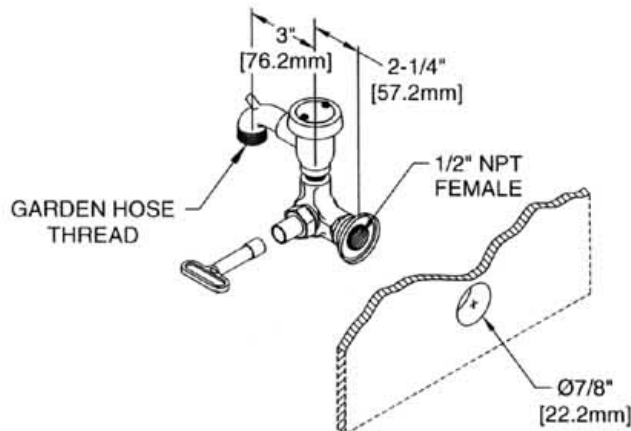
- * TEMP: 40°F MIN. TO 140°F MAX.
- * PRESSURE 200 PSI MAX. STATIC
- * 13.6 GPM AT 80 PSI

SHIPPING WEIGHT

- * 2.25 LBS



ROUGH-IN:



ANSI/A112.18.1M