

APPLICATION:

JOB NAME:

QUANTITY: ITEM NO.

PRODUCT NAME:

SILL FAUCET SINGLE WALL
WITH VACUUM BREAKER

SPECIAL CONFIGURATION
CHECK BASE MODEL AND OPTIONS

MODEL:

29556

OPTIONS OR MODIFICATIONS:

SUPPLY LINES (24" OR 36") CIRCLE LENGTH

NIPPLES

ELBOWS

HANDLES (CROSS OR WRIST) CIRCLE STYLE

OTHER _____

FEATURES:

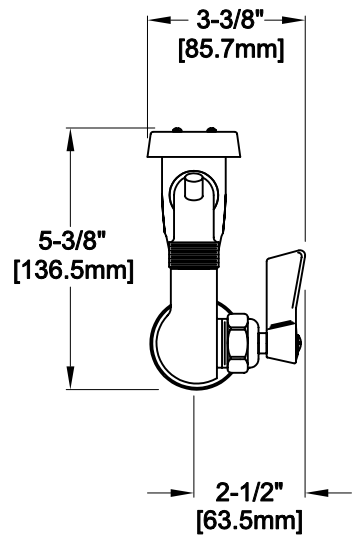
- * SINGLE WALL
- * STEM - RIGHT HAND
- * SWIVELING SEAT DISKS
- * STAINLESS STEEL SEATS
- * STAINLESS STEEL SEAT SCREWS
- * STAINLESS STEEL HANDLE SCREWS
- * ATMOSPHERIC VACUUM BREAKER
- * GARDEN HOSE THREADED SPOUT
- * HOT AND COLD INDEX BUTTONS INCLUDED

SYSTEM LIMITS

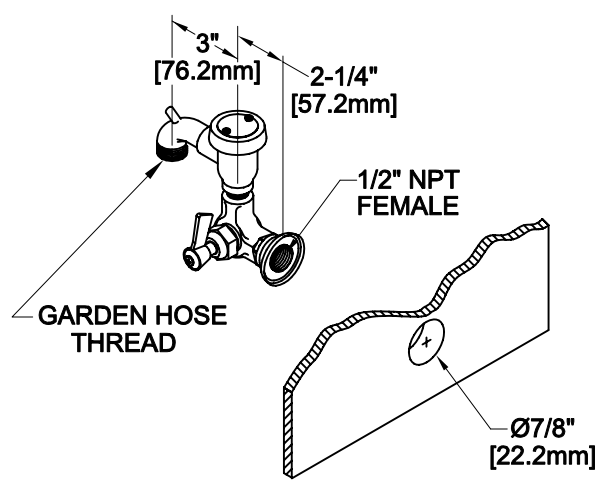
- * TEMP: 40°F MIN. TO 140°F MAX.
- * PRESSURE 200 PSI MAX. STATIC
- * 13.6 GPM AT 80 PSI

SHIPPING WEIGHT

- * 2.25 LBS



ROUGH-IN:



FISHER
FISHER MANUFACTURING COMPANY
TOLL FREE: 800-421-6162 - FAX: 800-832-8238
information@fisher-mfg.com - www.fisher-mfg.com