

APPLICATION:

JOB NAME:

QUANTITY: ITEM NO.

PRODUCT NAME:
**STAINLESS STEEL REEL RINSE
 EXPOSED WITH SPRAY GUN**

_____ SPECIAL CONFIGURATION
 CHECK BASE MODEL AND OPTIONS

MODEL:

29599 W/ 35' LENGTH HOSE

29262 W/ 50' LENGTH HOSE

OPTIONS OR MODIFICATIONS:

OTHER _____

FEATURES:

REEL RINSE

- * EXPOSED DESIGN
- * STAINLESS STEEL CONSTRUCTION
- * GUIDE ARM ADJUSTABLE TO 9 POSTIONS
- * RATCHET LOCK AND EASY TENSION ADJUST
- * STAINLESS STEEL OR BRASS FLUID PATH

HOSE

- * 35' OR 50' LENGTH REEL HOSE
- * 5/8" ID HIGH TEMPERATURE HOSE
- * 3-PLY FIBER REINFORCED
- * 18" LENGTH INLET HOSE
- * ADJUSTABLE BALL STOP

SPRAY GUN

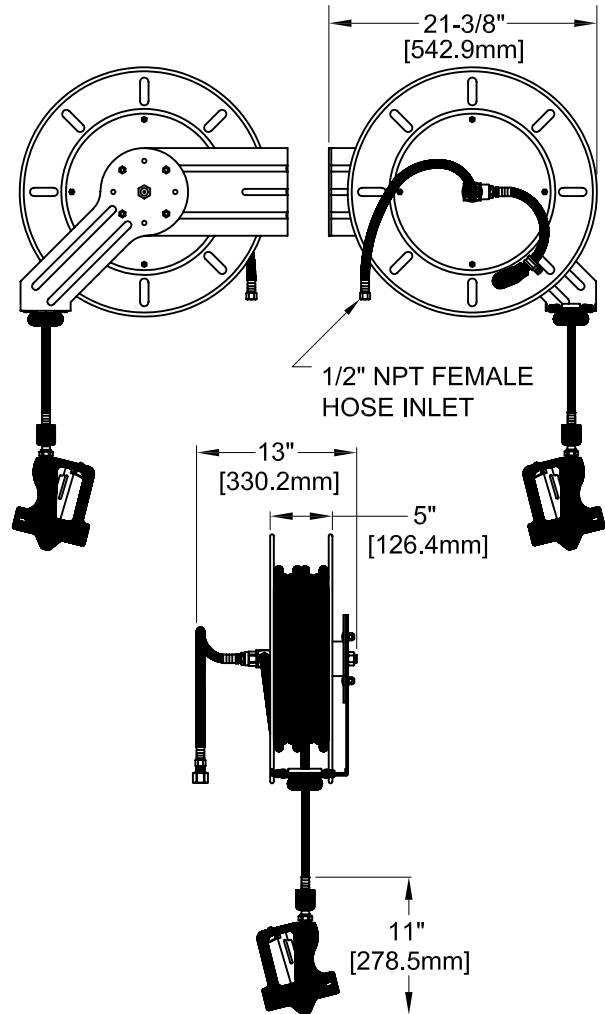
- * STAINLESS STEEL CONSTRUCTION
- * WATERPROOF NYLON COVER
- * ERGONOMIC DESIGN
- * LOCKING TRIGGER MECHANISM
- * 7.0 GPM AT 80 PSI

SYSTEM LIMITS

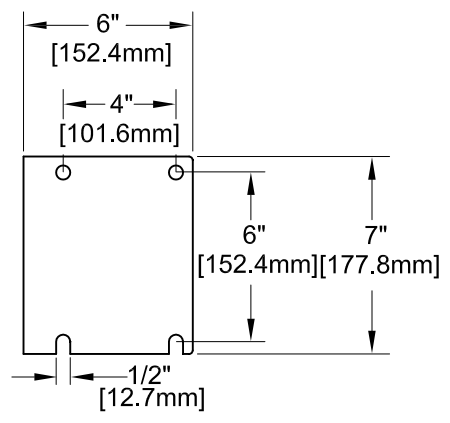
- * TEMP: 40° F MIN. TO 140°F MAX.
- * PRESSURE 150 PSI MAX. STATIC

SHIPPING WEIGHT

- * 29599 - 55.0 LBS
- * 29262 - 60.0 LBS



ROUGH-IN: SEE MOUNTING PLATE BELOW



FISHER
 FISHER MANUFACTURING COMPANY
 TOLL FREE: 800-421-6162 - FAX: 800-832-8238
 information@fisher-mfg.com - www.fisher-mfg.com