

**APPLICATION:**

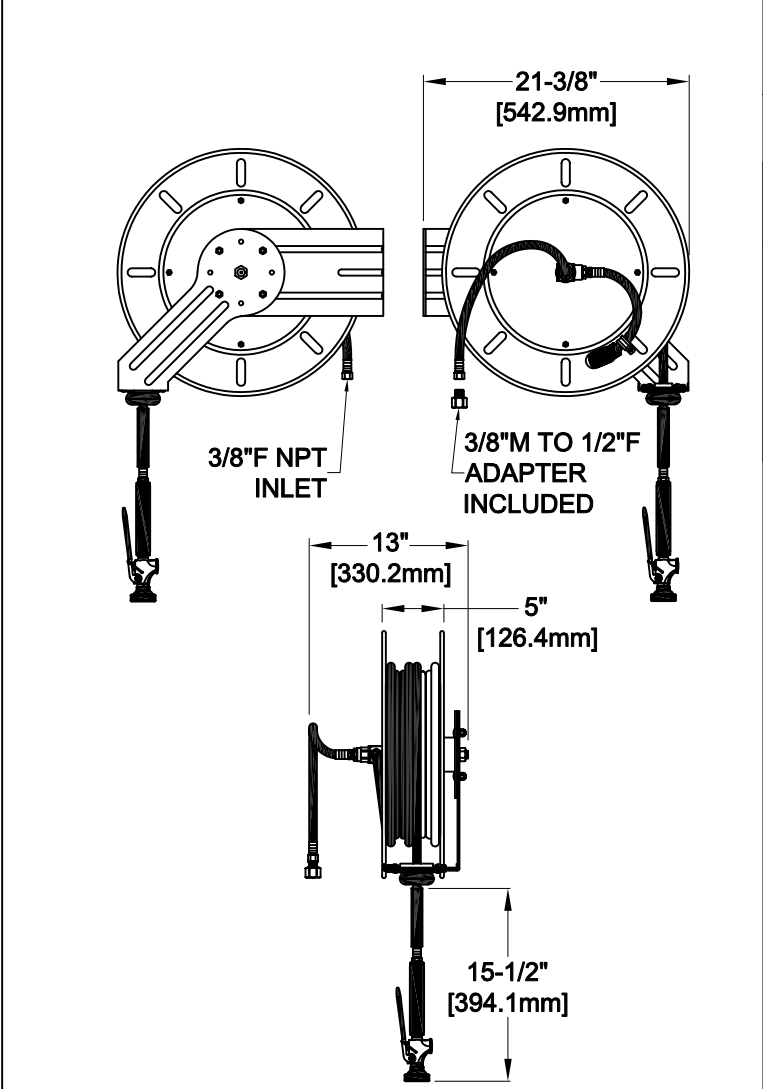
**JOB NAME:**

**QUANTITY:** \_\_\_\_\_ **ITEM NO.:** \_\_\_\_\_

**PRODUCT NAME:**

**STAINLESS STEEL REEL RINSE  
EXPOSED WITH SPRAY VALVE**

\_\_\_\_\_ **SPECIAL CONFIGURATION  
CHECK BASE MODEL AND OPTIONS**



**MODEL:**

29610 W/ 35' LENGTH HOSE

29602 W/ 50' LENGTH HOSE

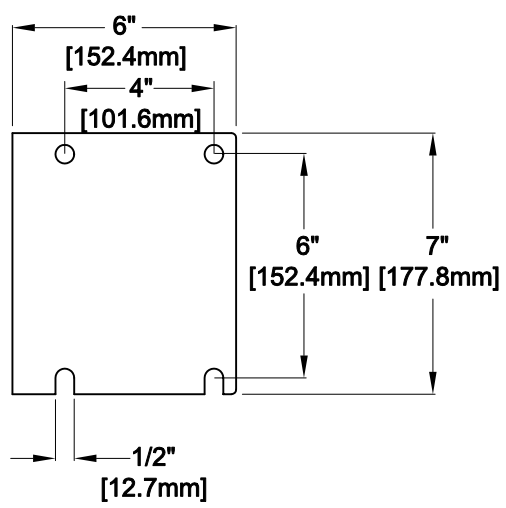
**OPTIONS OR MODIFICATIONS:**

BRUSH

OTHER \_\_\_\_\_

- FEATURES:**
- REEL RINSE**
- \* EXPOSED DESIGN
  - \* STAINLESS STEEL CONSTRUCTION
  - \* GUIDE ARM ADJUSTABLE TO 9 POSITIONS
  - \* RATCHED LOCK AND EASY TENSION ADJUST
  - \* STAINLESS STEEL OR BRASS FLUID PATH
- HOSE**
- \* 35' OR 50' LENGTH REEL HOSE
  - \* 3/8" ID HIGH TEMPERATURE HOSE
  - \* 3-PLY FIBER REINFORCED
  - \* 1/2" F NPT OR 3/8" F NPT INLET
  - \* 18" LENGTH INLET HOSE
  - \* ADJUSTABLE BALL STOP
- STANDARD PRO SPRAY VALVE**
- \* SOLID BRASS SHOWER HEAD - NO "O" RINGS TO LEAK
  - \* BRONZE HANDLE - NOT PLASTIC - MEANS FULL "ON"
  - \* FITS ALL BRANDS
  - \* 2.65 GPM AT 80 PSI
  - \* SHOWER SPRAY PATTERN
- SYSTEM LIMITS**
- \* TEMP: 40°F MIN. TO 140°F MAX.
  - \* PRESSURE 150 PSI MAX. STATIC

**ROUGH-IN: SEE MOUNTING PLATE BELOW**



**SHIPPING WEIGHT**

- \* 29610 - 50.0 LBS
- \* 29602 - 52.0 LBS

**FISHER MANUFACTURING COMPANY**

TOLL FREE: 800-421-6162 - FAX: 800-832-8238

information@fisher-mfg.com - www.fisher-mfg.com