

APPLICATION:

JOB NAME:

QUANTITY: ITEM NO.

PRODUCT NAME:

STAINLESS STEEL REEL RINSE
CLOSED WITH SPRAY VALVE

SPECIAL CONFIGURATION
CHECK BASE MODEL AND OPTIONS

MODEL:

29653 W/ 35' LENGTH HOSE

29645 W/ 50' LENGTH HOSE

OPTIONS OR MODIFICATIONS:

BRUSH

OTHER _____

FEATURES:

REEL RINSE

- * ENCLOSED DESIGN
- * STAINLESS STEEL CONSTRUCTION
- * ADJUSTABLE GUIDE SLEEVE
- * RATCHED LOCK AND EASY TENSION ADJUST
- * STAINLESS STEEL OR BRASS FLUID PATH

HOSE

- * 35' OR 50' LENGTH REEL HOSE
- * 3/8" ID HIGH TEMPERATURE HOSE
- * 3-PLY FIBER REINFORCED
- * 1/2" F OR 3/8" F NPT INLET
- * 18" LENGTH INLET HOSE
- * ADJUSTABLE BALL STOP

PRO SPRAY VALVE

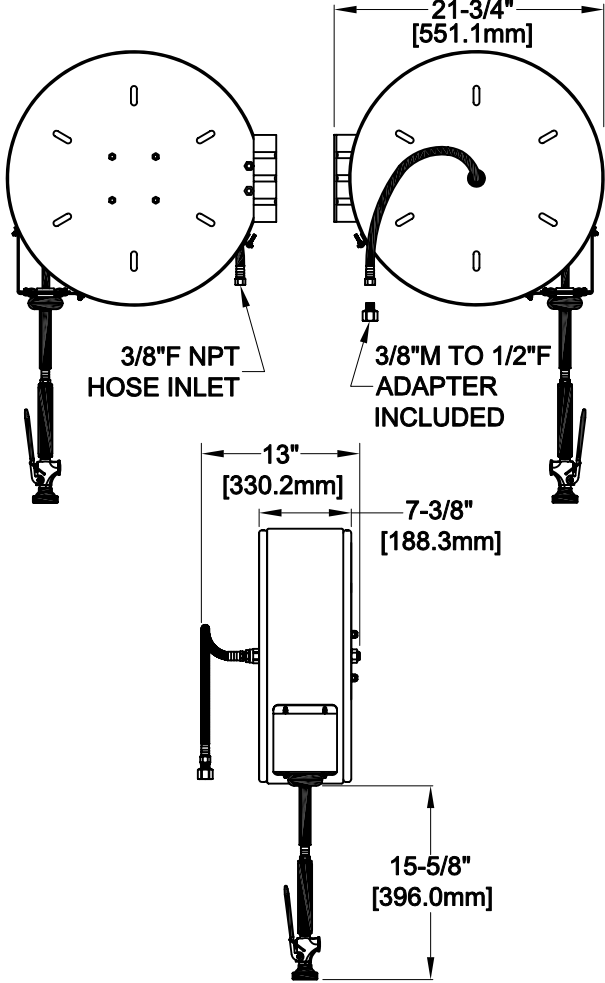
- * SOLID BRASS SHOWER HEAD - NO "O" RINGS TO LEAK
- * BRONZE HANDLE - NOT PLASTIC - MEANS FULL "ON"
- * FITS ALL BRANDS
- * 2.65 GPM AT 80 PSI
- * SHOWER SPRAY PATTERN

SYSTEM LIMITS

- * TEMP: 40°F MIN. TO 140°F MAX.
- * PRESSURE 150 PSI MAX. STATIC

SHIPPING WEIGHT

- * 29653 - 59.0 LBS
- * 29645 - 61.0 LBS



ROUGH-IN: SEE MOUNTING PLATE BELOW

