

**APPLICATION:**

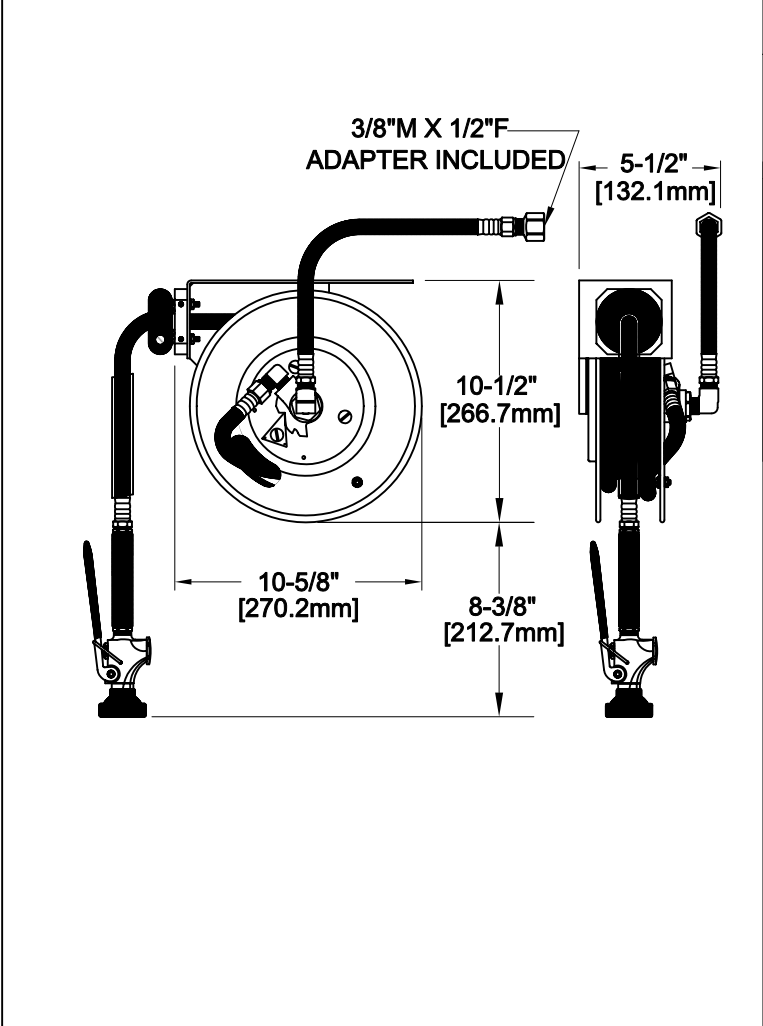
**JOB NAME:**

**QUANTITY:** \_\_\_\_\_ **ITEM NO.:** \_\_\_\_\_

**PRODUCT NAME:**  
**UNDER COUNTER REEL RINSE WITH SPRAY VALVE**

\_\_\_\_\_ **SPECIAL CONFIGURATION CHECK BASE MODEL AND OPTIONS**

**MODEL:**  
 29661



**OPTIONS OR MODIFICATIONS:**

BRUSH

OTHER \_\_\_\_\_

- FEATURES:**
- REEL**
- \* SELF-LOCKING DESIGN
  - \* EXPOSED
- HOSE**
- \* 12' LENGTH HOSE
  - \* 19" LENGTH INLET HOSE
  - \* 3/8" NPT FEMALE INLET
  - \* 3-PLY FIBER REINFORCED RUBBER HOSE
  - \* ADJUSTABLE BALL STOP
- STANDARD PRO SPRAY VALVE**
- \* SOLID BRASS SHOWER HEAD - NO "O" RINGS TO LEAK
  - \* BRONZE HANDLE - NOT PLASTIC - MEANS FULL "ON"
  - \* FITS ALL BRANDS
  - \* 2.65 GPM AT 80 PSI
  - \* SHOWER SPRAY PATTERN
- SYSTEM LIMITS**
- \* TEMP: 40°F MIN. TO 140°F. MAX
  - \* PRESSURE 200 PSI MAX STATIC
- SHIPPING WEIGHT**
- \* 13.0 LBS

**ROUGH-IN: SEE MOUNTING PLATE BELOW**

