

APPLICATION:

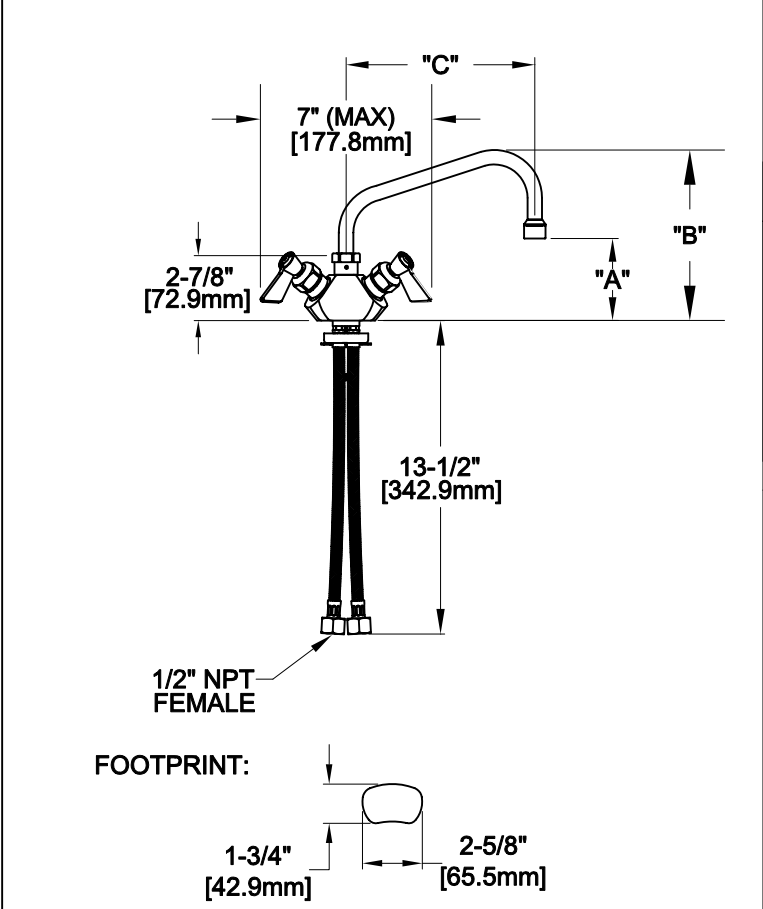
JOB NAME:

QUANTITY: ITEM NO.

PRODUCT NAME:

SINGLE DECK DUAL CONTROL FAUCET

SPECIAL CONFIGURATION CHECK BASE MODEL AND OPTIONS



MODEL:

3110 W/ 6" SWING SPOUT

3111 W/ 8" SWING SPOUT

3112 W/ 10" SWING SPOUT

3113 W/ 12" SWING SPOUT

3114 W/ 14" SWING SPOUT

3118 W/ 16" SWING SPOUT

OPTIONS OR MODIFICATIONS:

SUPPLY LINES (24" OR 36") CIRCLE LENGTH

DJ SUB-ASSY (7-1/4" OR 13") CIRCLE LENGTH

VANDAL RESISTANT KIT

HANDLES (CROSS OR WRIST) CIRCLE STYLE

OTHER _____

- FEATURES:
- * SINGLE DECK DUAL CONTROL
 - * SWIVELING SEAT DISKS
 - * HOT SIDE STEM - RIGHT HAND
 - * COLD SIDE STEM - LEFT HAND
 - * STAINLESS STEEL SEATS
 - * STAINLESS STEEL SEAT SCREWS
 - * STAINLESS STEEL HANDLE SCREWS
 - * STAINLESS STEEL BRAIDED INLET HOSES

SYSTEM LIMITS

- * TEMP: 40°F MIN. TO 140°F MAX.
- * PRESSURE: 200 PSI MAX. STATIC
- * 2.20 GPM AT 80 PSI

SHIPPING WEIGHT

- * 4.75 LBS

MODEL	DIM "A"	DIM "B"	DIM "C"
3110	3" [76.2mm]	6-5/8" [168.3mm]	6" [152.4mm]
3111	3-1/4" [82.6mm]	7-1/8" [181.0mm]	8" [203.2mm]
3112	3-7/8" [98.4mm]	7-5/8" [193.7mm]	10" [254.0mm]
3113	4-1/2" [114.3mm]	8-1/8" [206.4mm]	12" [304.8mm]
3114	5-1/8" [130.2mm]	9" [228.6mm]	14" [355.6mm]
3118	5-7/8" [149.2mm]	9-5/8" [244.5mm]	16" [406.4mm]

ROUGH-IN:

