

APPLICATION:

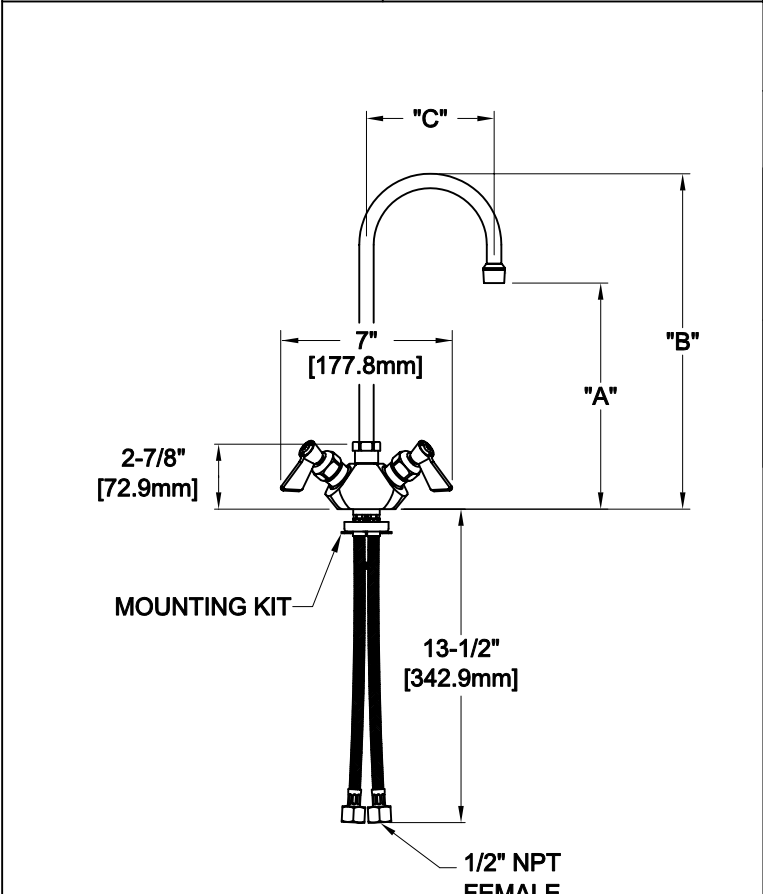
JOB NAME:

QUANTITY:                      ITEM NO.

PRODUCT NAME:

**SINGLE DECK DUAL CONTROL FAUCET**

SPECIAL CONFIGURATION CHECK BASE MODEL AND OPTIONS



MODEL:

3115 W/ 12" SWIVEL GOOSENECK SPOUT

1872 W/ 6" SWIVEL GOOSENECK SPOUT

OPTIONS OR MODIFICATIONS:

SUPPLY LINES (24" OR 36") CIRCLE LENGTH

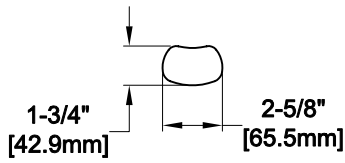
VANDAL RESISTANT KIT

HANDLES (CROSS OR WRIST) CIRCLE STYLE

OTHER \_\_\_\_\_

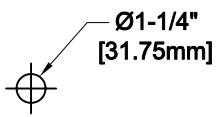
- FEATURES:
- \* SINGLE DECK, DUAL CONTROL
  - \* SWIVELING SEAT DISKS
  - \* HOT SIDE STEM - RIGHT HAND
  - \* COLD SIDE STEM - LEFT HAND
  - \* STAINLESS STEEL SEATS
  - \* STAINLESS STEEL SEAT SCREWS
  - \* STAINLESS STEEL HANDLE SCREWS
  - \* FLEXIBLE INLET HOSES
- SYSTEM LIMITS
- \* TEMP: 40°F MIN. TO 140°F MAX.
  - \* PRESSURE 200 PSI MAX. STATIC
  - \* 2.20 GPM AT 80 PSI
- SHIPPING WEIGHT
- \* 4.75 LBS

FOOTPRINT:



MODEL	DIM "A"	DIM "B"	DIM "C"
3115	10" [254.0mm]	14" [355.6mm]	5-1/2" [139.7mm]
1872	6" [152.4mm]	9-1/2" [241.3mm]	3-1/2" [88.9mm]

ROUGH-IN:



**FISHER**  
FISHER MANUFACTURING COMPANY  
TOLL FREE: 800-421-6162 - FAX: 800-832-8238  
information@fisher-mfg.com - www.fisher-mfg.com