

JOB NAME:

QUANTITY:

ITEM NO.:

PRODUCT NAME:

**SINGLE DECK DUAL CONTROL FAUCET**

\_\_\_\_\_ SPECIAL C ONFIGURATION  
(CHECK BASE MODEL AND OPTIONS)

MODEL:

- 3116 W/12" RIGIDGOOSENECK SPOUT
- 3126 W/6" RIGIDGOOSENECK SPOUT

OPTIONS OR MODIFICATIONS:

- SUPPLY LINES (24" OR 36") CIRCLE LENGTH
- VANDAL RESISTANT KIT
- HANDLES (CROSS OR WRIST) CIRCLE STYLE
- OTHER \_\_\_\_\_

FEATURES:

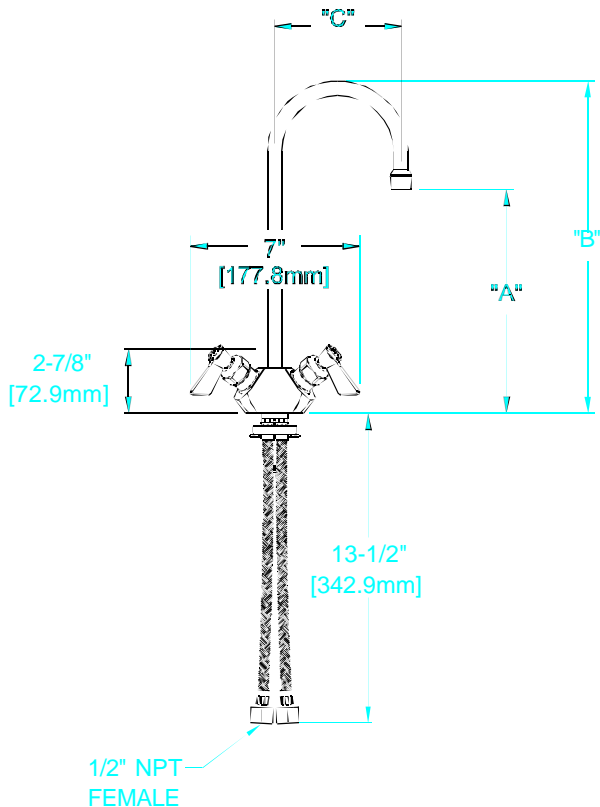
- \* SINGLE DECK, DUAL CONTROL
- \* SWIVELLING SEAT DISKS
- \* HOT SIDE STEM - RIGHT HAND
- \* COLD SIDE STEM - LEFT HAND
- \* STAINLESS STEEL SEATS
- \* STAINLESS STEEL SEAT SCREWS
- \* STAINLESS STEEL HANDLE SCREWS
- \* FLEXIBLE INLET HOSES

SYSTEM LIMITS

- \* TEMP: 40°F MIN. TO 140°F MAX.
- \* PRESSURE 200 PSI MAX. STATIC
- \* 2.20 GPM AT 80 PSI

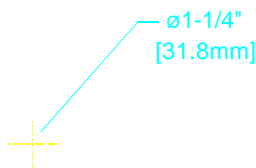
SHIPPING WEIGHT

- \* 4.5 LBS



MODEL	DIM "A"	DIM "B"	DIM "C"
3116	9" [228.6mm]	13" [330.2mm]	5-1/2" [139.7mm]
3126	5" [127.0mm]	8-1/2" [215.9mm]	3-1/2" [88.9mm]

ROUGH-IN:



ANSI/A112.18.1M

FISHER MANUFACTURING COMPANY  
 1900 SOUTH "O" STREET, TULARE, CALIFORNIA 93274  
 MAILING ADDRESS: P.O. BOX 60, TULARE, CALIFORNIA 93275  
 PHONE: (800) 421-6162 FAX: (800) 832-8238  
 MADE IN U. S. A.