

APPLICATION:

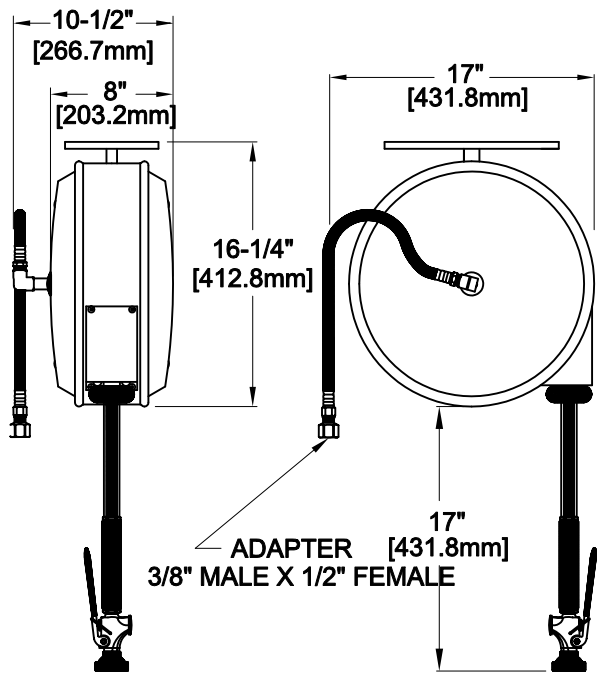
JOB NAME:

QUANTITY:                      ITEM NO.

PRODUCT NAME:  
**CLOSED REEL RINSE CEILING MOUNTED WITH SPRAY VALVE**

SPECIAL CONFIGURATION  
 CHECK BASE MODEL AND OPTIONS

MODEL:  
 32026

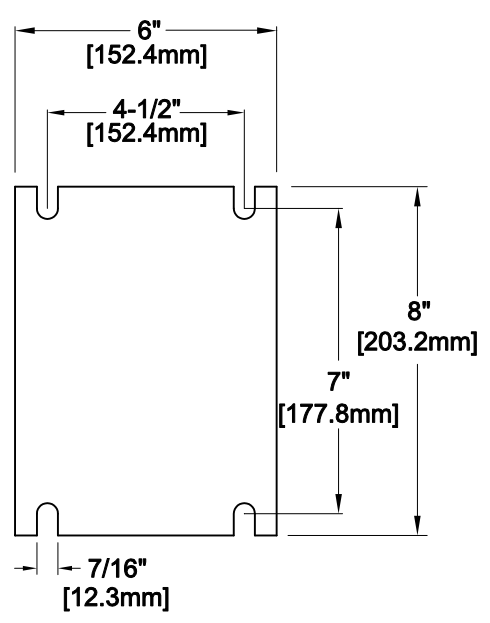


OPTIONS OR MODIFICATIONS:  
 BRUSH  
 OTHER \_\_\_\_\_

**FEATURES:**

- REEL**
- \* CLOSED DESIGN
  - \* SELF-LOCKING
  - \* STAINLESS STEEL COVER
  - \* CEILING MOUNTED
- HOSE**
- \* 30' LENGTH REEL HOSE
  - \* 3-PLY FIBER REINFORCED
  - \* 3/8" FEMALE NPT INLET
  - \* 18" LENGTH INLET HOSE
  - \* ADJUSTABLE BALL STOP
- STANDARD PRO SPRAY VALVE**
- \* SOLID BRASS SHOWER HEAD - NO "O" RINGS TO LEAK
  - \* BRONZE HANDLE - NOT PLASTIC - MEANS FULL "ON"
  - \* FITS ALL BRANDS
  - \* 2.65 GPM AT 80 PSI
  - \* SHOWER SPRAY PATTERN

ROUGH-IN: SEE MOUNTING PLATE BELOW



- SYSTEM LIMITS**
- \* TEMP: 40°F MIN. TO 140°F MAX. STATIC
  - \* PRESSURE 200 PSI MAX. STATIC

**SHIPPING WEIGHT**  
 \* 35.0 LBS

**FISHER**  
 FISHER MANUFACTURING COMPANY  
 TOLL FREE: 800-421-6162 - FAX: 800-832-8238  
 information@fisher-mfg.com - www.fisher-mfg.com