

APPLICATION:

PRODUCT NAME:

PRE-RINSE SPRING STYLE SINGLE DECK WITH WALL BRACKET & ADD-ON FAUCET

JOB NAME:

SPECIAL CONFIGURATION

CHECK BASE MODEL AND OPTIONS

QUANTITY:

ITEM NO.

MODEL:

- 34096 WITH 6" SWING SPOUT
- 34118 WITH 8" SWING SPOUT
- 34126 WITH 10" SWING SPOUT
- 34134 WITH 12" SWING SPOUT
- 34142 WITH 14" SWING SPOUT
- 34150 WITH 16" SWING SPOUT

OPTIONS OR MODIFICATIONS:

- SUPPLY LINES (24" OR 36") CIRCLE LENGTH
- ADD-ON FAUCET (6", 8", 10", 12", 14", 16") CIRCLE
- IN-LINE DUAL CHECK VALVE
- BRUSH
- VANDAL RESISTANT KIT
- HANDLES (CROSS OR WRIST) CIRCLE STYLE
- OTHER _____

FEATURES:

- MAIN CONTROL VALVE**
- * SINGLE DECK
 - * STEM - LEFT HAND SWIVEL
 - * HOT & COLD INDED BUTTONS
 - * SWIVELLING SEAT DISKS
 - * STAINLESS STEEL SEATS, SEAT SCREWS AND HANDLE SCREWS
- TEMPERATURE CONTROL VALVE**
- * INTERNAL CHECK VALVES
 - * SCREWDRIVER ADJUSTMENT BOTH HOT & COLD

ADD-ON CONTROL VALVE

- * STEM - RIGHT HAND SWIVEL
- * HOT INDEX BUTTON
- * SWIVELLING SEAT DISKS
- * STAINLESS STEEL SEATS, SEAT SCREWS AND HANDLE SCREWS.

HOSE

- * 36" LENGTH
- * STAINLESS STEEL END FITTINGS
- * STAINLESS STEEL EXTERNAL JACKET
- * 3-PLY FIBER REINFORCED INTERNAL RUBBER HOSE
- * REPAIRABLE IN FIELD WITH SIMPLE TOOLS

ULTRA SPRAY VALVE

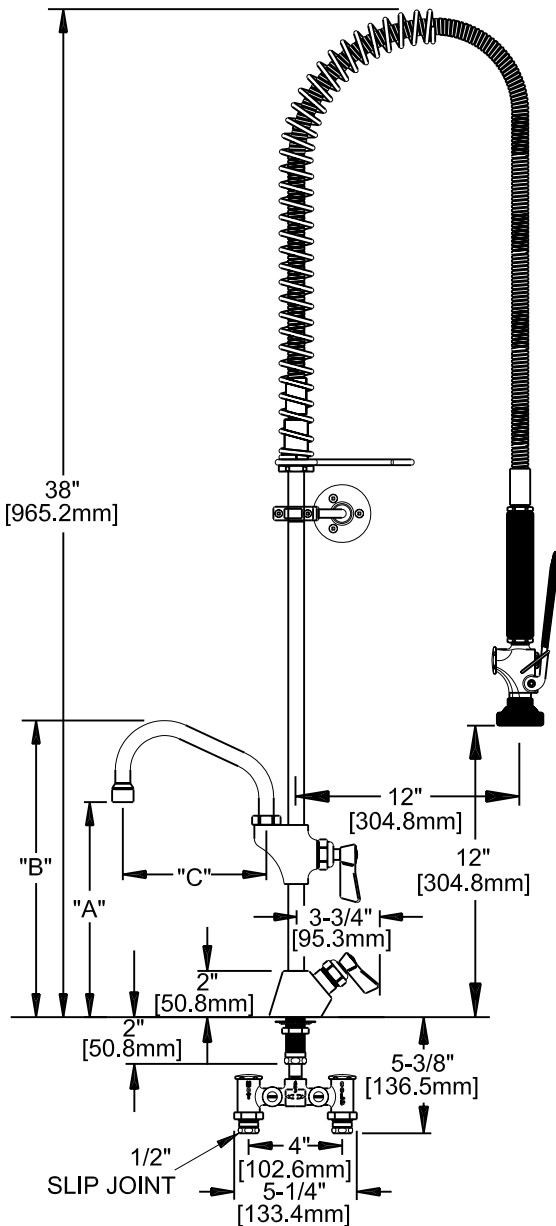
- * LOWEST ENERGY USER - 1.15 GPM @ 60 PSI
- * CLEANS FASTER - TEST PROVEN
- * ENGINEERED TO LAST - NO 'O' RINGS TO LEAK
- * INTERCHANGEABLE - FITS ALL BRANDS

WALL BRACKET

- * ADJUSTS FROM 2" TO 12"

SYSTEM LIMITS

- * TEMP: 40°F MIN. TO 140°F MAX. STATIC
- * PRESSURE 200 PSI MAX. STATIC
- * SHIPPING WEIGHT: 14.0 LBS



ROUGH-IN	MODEL	DIM "A"	DIM "B"	DIM "C"
	34096	8-3/4" [221.3mm]	12-3/8" [313.3mm]	6" [152.4mm]
	34118	9" [227.6mm]	12-7/8" [326.0mm]	8" [203.2mm]
	34126	9-5/8" [243.5mm]	13-3/8" [340.3mm]	10" [254.0mm]
	34134	10-1/4" [259.4mm]	13-7/8" [351.4mm]	12" [304.8mm]
	34142	10-7/8" [275.2mm]	14-3/4" [373.7mm]	14" [355.6mm]
	34150	11-5/8" [294.3mm]	15-3/8" [389.5mm]	16" [406.4mm]