

APPLICATION:

JOB NAME:

QUANTITY: ITEM NO.:

PRODUCT NAME:
**PRE-RINSE SPRING STYLE WALL MOUNT
 WITH WALL BRACKET & ADD-ON FAUCET**

_____ SPECIAL CONFIGURATION

MODEL:

34355 WITH 6" SWING SPOUT
 34363 WITH 8" SWING SPOUT
 34371 WITH 10" SWING SPOUT
 34398 WITH 12" SWING SPOUT
 34401 WITH 14" SWING SPOUT
 34428 WITH 16" SWING SPOUT

OPTIONS OR MODIFICATIONS:

SUPPLY LINES (24" OR 36") CIRCLE LENGTH
 BACKFLOW PREVENTER
 BRUSH
 VANDAL RESISTANT KIT
 HANDLES (CROSS OR WRIST) CIRCLE STYLE
 OTHER _____

FEATURES:

MAIN CONTROL VALVE
 * WALL MOUNT
 * ECCENTRICS ADJUST FROM 7-1/2" TO 8-1/2"
 * INTERNAL SPRING LOADED CHECK VALVES
 * SWIVELLING SEAT DISKS
 * HOT SIDE STEM - RIGHT HAND CHECK
 * COLD SIDE STEM - LEFT HAND CHECK
 * STAINLESS STEEL SEATS, SEAT SCREWS AND HANDLE SCREWS

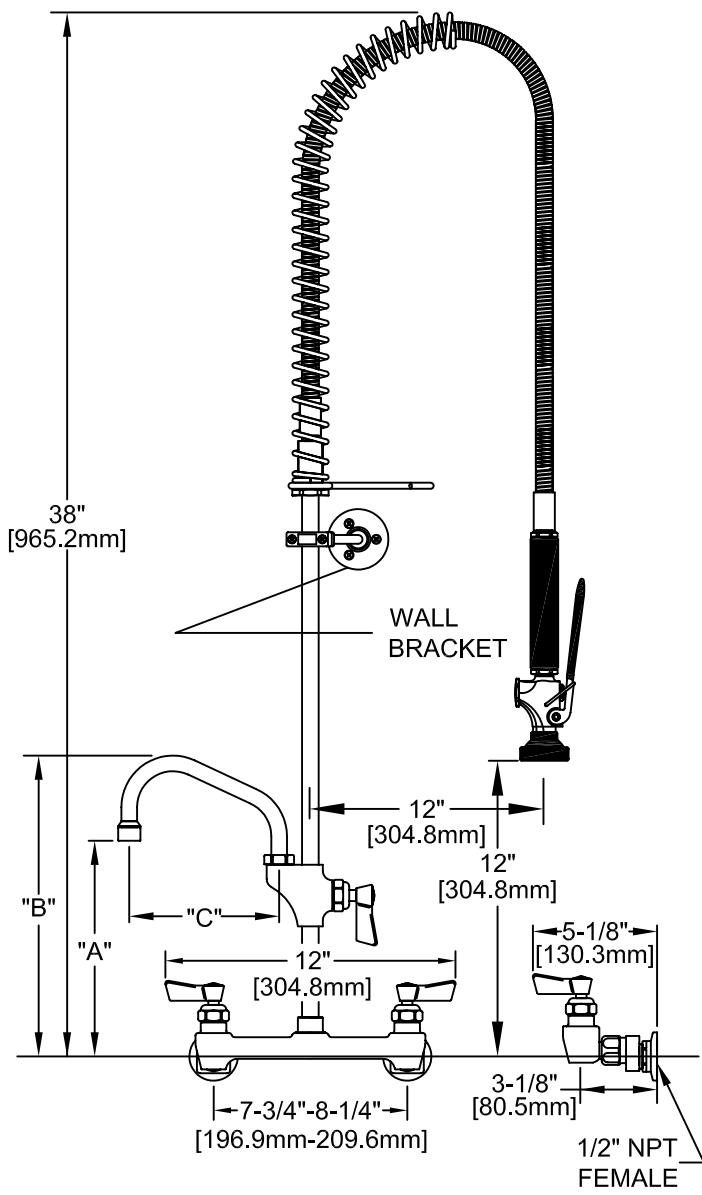
ADD-ON CONTROL VALVE
 * STEM - RIGHT HAND SWIVEL
 * HOT INDEX BUTTON
 * SWIVELLING SEAT DISKS
 * STAINLESS STEEL SEATS, SEAT SCREWS AND HANDLE SCREWS.

HOSE
 * 36" LENGTH
 * STAINLESS STEEL END FITTINGS
 * STAINLESS STEEL EXTERNAL JACKET
 * 3-PLY FIBER REINFORCED INTERNAL RUBBER HOSE
 * REPAIRABLE IN FIELD WITH SIMPLE TOOLS

ULTRA SPRAY VALVE
 * LOWEST ENERGY USER - 1.15 GPM @ 60 PSI
 * CLEANS FASTER - TEST PROVEN
 * ENGINEERED TO LAST - NO 'O' RINGS TO LEAK
 * INTERCHANGEABLE - FITS ALL BRANDS

WALL BRACKET
 * ADJUSTS FROM 2" TO 12"

SYSTEM LIMITS
 * TEMP: 40°F MIN. TO 140°F MAX. STATIC
 * PRESSURE 200 PSI MAX. STATIC
 * SHIPPING WEIGHT: 15.0 LBS



ROUGH-IN	MODEL	DIM "A"	DIM "B"	DIM "C"
<p>1/2" NPT MALE*</p> <p>8" ± 1/4" [203.2 ± 6.4mm]</p>	34355	8-3/4" [221.3mm]	12-3/8" [313.3mm]	6" [152.4mm]
	34363	9" [227.6mm]	12-7/8" [326.0mm]	8" [203.2mm]
	34371	9-5/8" [243.5mm]	13-3/8" [340.3mm]	10" [254.0mm]
	34398	10-1/4" [259.4mm]	13-7/8" [351.4mm]	12" [304.8mm]
	34401	10-5/8" [275.0mm]	14-3/4" [373.7mm]	14" [355.6mm]
*NIPPLES NOT INCLUDED	34428	11-1/2" [292.1mm]	15-3/8" [389.5mm]	16" [406.4mm]

