

APPLICATION:

PRODUCT NAME:
8" C/C BACKSPASH MOUNT PRE-RINSE SPRING STYLE WITH ADD-ON FAUCET

JOB NAME:

SPECIAL CONFIGURATION
 CHECK BASE MODEL AND OPTIONS

QUANTITY:

ITEM NO.

MODEL:
 34436 WITH 6" SWING SPOUT
 34444 WITH 8" SWING SPOUT
 34452 WITH 10" SWING SPOUT
 34460 WITH 12" SWING SPOUT
 34479 WITH 14" SWING SPOUT
 34487 WITH 16" SWING SPOUT

OPTIONS OR MODIFICATIONS:
 SUPPLY LINES (24" OR 36") CIRCLE LENGTH
 IN-LINE DUAL CHECK VALVE
 BRUSH
 HANDLES (CROSS OR WRIST) CIRCLE STYLE
 VANDAL RESISTANT KIT
 OTHER _____

FEATURES

MAIN CONTROL VALVE
 * 8" C/C BACKSPASH MOUNT
 * INTERNAL SPRING LOADED CHECK VALVES
 * SWIVELLING SEAT DISKS
 * HOT SIDE STEM - RIGHT HAND CHECK
 * COLD SIDE STEM - LEFT HAND CHECK
 * STAINLESS STEEL SEATS, SEAT SCREWS, AND HANDLE SCREWS

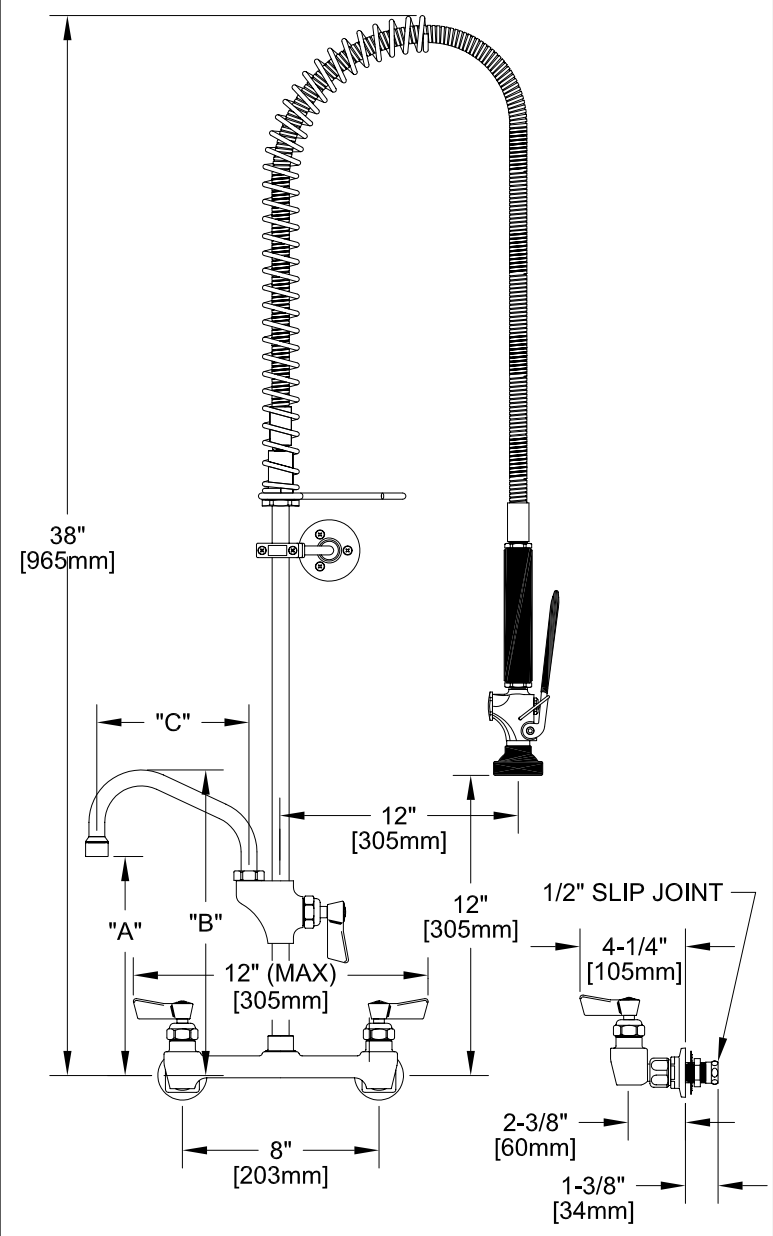
HOSE
 * 36" LENGTH
 * STAINLESS STEEL END FITTINGS
 * STAINLESS STEEL EXTERNAL JACKET
 * 3-PLY FIBER REINFORCED INTERNAL RUBBER HOSE
 * REPAIRABLE IN-FIELD WITH SIMPLE TOOLS

ULTRA SPRAY VALVE
 * LOWEST ENERGY USER - 1.15 GPM @ 60 PSI
 * CLEANS FASTER - TEST PROVEN
 * ENGINEERED TO LAST - NO 'O' RINGS TO LEAK
 * INTERCHANGEABLE - FITS ALL BRANDS

WAL BRACKET
 * ADJUSTS FROM 2" TO 12"

SYSTEM LIMITS
 * TEMP: 40°F MIN. TO 140°F MAX.
 * PRESSURE: 200 PSI MAX. STATIC

SHIPPING WEIGHT
 * 15.0 LBS



ROUGH-IN	MODEL	DIM "A"	DIM "B"	DIM "C"
	34436	8-3/4" [221mm]	12-3/8" [313mm]	6" [152mm]
	34444	9" [228mm]	12-7/8" [326mm]	8" [203mm]
	34452	9-5/8" [244mm]	13-3/8" [340mm]	10" [254mm]
	34460	10-1/4" [259mm]	13-7/8" [351mm]	12" [305mm]
	34479	10-5/8" [275mm]	14-3/4" [374mm]	14" [356mm]
	34487	11-1/2" [292mm]	15-3/8" [390mm]	16" [406mm]

EPAct 2005 Compliant ANSI/A112.18.1M

FISHER
 FISHER MANUFACTURING COMPANY
 TOLL FREE: 800-421-6162 - FAX: 800-832-8238
 information@fisher-mfg.com - www.fisher-mfg.com