

APPLICATION:

PRODUCT NAME:
PRE-RINSE SPRING 4" C/C BACKSPLASH WITH WALL BRACKET & ADD-ON FAUCET

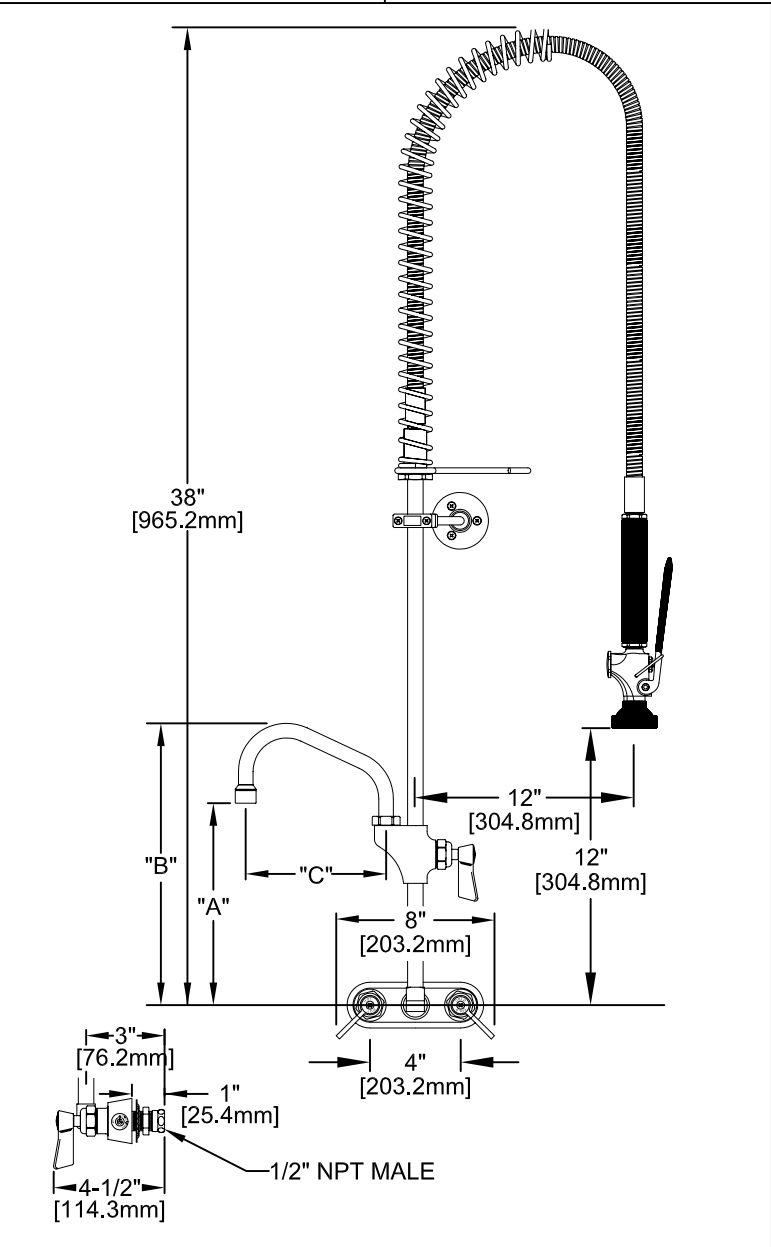
JOB NAME:

SPECIAL CONFIGURATION
 _____ CHECK BASE MODEL AND OPTIONS

QUANTITY:

ITEM NO.

MODEL:
 34495 WITH 6" SWING SPOUT
 34509 WITH 8" SWING SPOUT
 34517 WITH 10" SWING SPOUT
 34525 WITH 12" SWING SPOUT
 34533 WITH 14" SWING SPOUT
 34541 WITH 16" SWING SPOUT



OPTIONS OR MODIFICATIONS:
 SUPPLY LINES (24" OR 36") CIRCLE LENGTH
 ADD-ON FAUCET (6", 8", 10", 12", 14", 16") CIRCLE
 IN-LINE DUAL CHECK VALVE
 BRUSH
 VANDAL RESISTANT KIT
 HANDLES (CROSS OR WRIST) CIRCLE STYLE
 OTHER _____

FEATURES:

MAIN CONTROL VALVE
 * 4" C/C BACKSPLASH
 * INTERNAL SPRING LOADED CHECK VALVES
 * SWIVELLING SEAT DISKS
 * HOT SIDE STEM - LEFT HAND CHECK
 * COLD SIDE STEM - RIGHT HAND CHECK
 * STAINLESS STEEL SEATS, SEAT SCREWS AND HANDLE SCREWS

ADD-ON CONTROL VALVE
 * STEM - RIGHT HAND
 * HOT INDEX BUTTON
 * SWIVELLING SEAT DISKS
 * STAINLESS STEEL SEATS, SEAT SCREWS AND HANDLE SCREWS

HOSE
 * 36" LENGTH
 * STAINLESS STEEL END FITTINGS
 * STAINLESS STEEL EXTERNAL JACKET
 * 3-PLY FIBER REINFORCED INTERNAL RUBBER HOSE
 * REPAIRABLE IN FIELD WITH SIMPLE TOOLS

ULTRA SPRAY VALVE
 * LOWEST ENERGY USER - 1.15 GPM @ 60 PSI
 * CLEANS FASTER - TEST PROVEN
 * ENGINEERED TO LAST - NO 'O' RINGS TO LEAK
 * INTERCHANGEABLE - FITS ALL BRANDS

WALL BRACKET
 * ADJUSTS FROM 2" TO 12"

SYSTEM LIMITS
 * TEMP: 40°F MIN. TO 140°F MAX. STATIC
 * PRESSURE 200 PSI MAX. STATIC
 * SHIPPING WEIGHT: 14.0 LBS

ROUGH-IN	MODEL	DIM "A"	DIM "B"	DIM "C"
	34495	8-3/4" [221.3mm]	12-3/8" [313.3mm]	6" [152.4mm]
	34509	9" [227.6mm]	12-7/8" [326.0mm]	8" [203.2mm]
	34517	9-5/8" [243.5mm]	13-3/8" [340.3mm]	10" [254.0mm]
	34525	10-1/4" [259.4mm]	13-7/8" [351.4mm]	12" [304.8mm]
	34533	10-5/8" [275.0mm]	14-3/4" [373.7mm]	14" [355.6mm]
	34541	11-1/2" [292.1mm]	15-3/8" [389.5mm]	16" [406.4mm]