

APPLICATION:

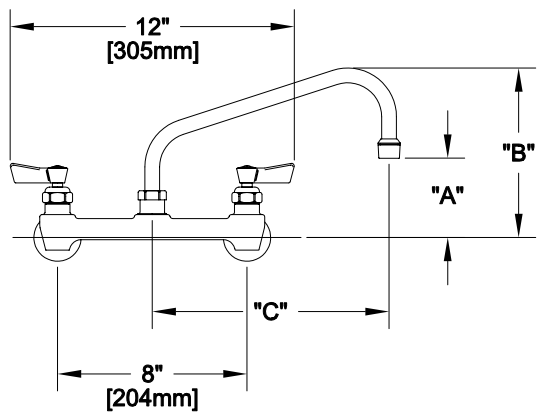
JOB NAME:

QUANTITY:                      ITEM NO.

PRODUCT NAME:

8" C/C BACKSPLASH FAUCET

SPECIAL CONFIGURATION  
CHECK BASE MODEL AND OPTIONS



MODEL	DIM "A"	DIM "B"	DIM "C"
34908	2-1/4" [57mm]	5-7/8" [149mm]	6" [152mm]
34916	2-1/2" [64mm]	6-3/8" [162mm]	8" [204mm]
34924	3-1/8" [79mm]	6-7/8" [175mm]	10" [254mm]
29254	3-3/4" [95mm]	7-3/8" [187mm]	12" [305mm]
29238	4-3/8" [111mm]	8-1/4" [210mm]	14" [356mm]
34932	5" [127mm]	8-7/8" [225mm]	16" [406mm]

- MODEL:
- 34908 SAME AS A 13234 W/ 6" SWING SPOUT
  - 34916 SAME AS A 13242 W/ 8" SWING SPOUT
  - 34924 SAME AS A 13250 W/ 10" SWING SPOUT
  - 29254 SAME AS A 13269 W/ 12" SWING SPOUT
  - 29238 SAME AS A 13277 W/ 14" SWING SPOUT
  - 34932 SAME AS A 13218 W/ 16" SWING SPOUT

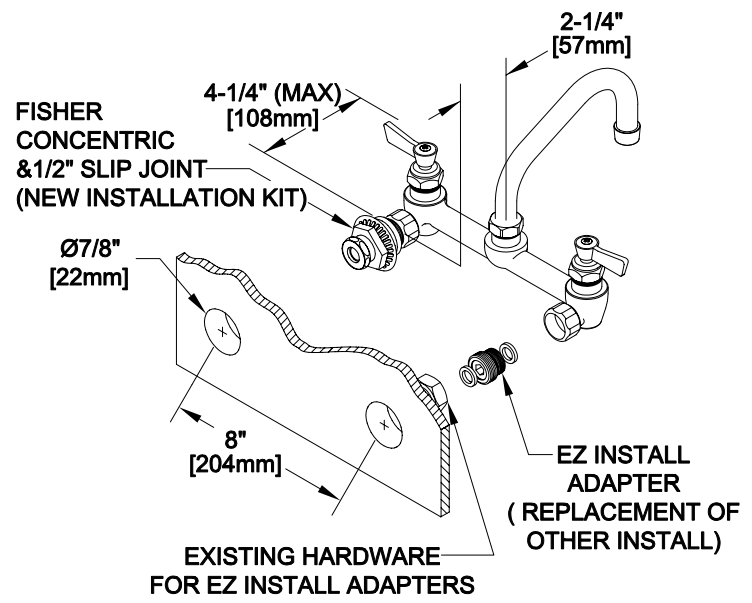
- OPTIONS OR MODIFICATIONS:
- SUPPLY LINES (24" OR 36") CIRCLE LENGTH
  - DJ SUB-ASSY (7-1/4" OR 13") CIRCLE LENGTH
  - ELBOWS
  - VANDAL RESISTANT KIT
  - HANDLES (CROSS OR WRIST) CIRCLE STYLE
  - OTHER EZ INSTALL ADAPTERS, T&S, CHI, CHG

- FEATURES
- POP PACKAGING
- \* WHITE BOX
  - \* COLOR PRODUCT LABEL
- CONTROL VALVE
- \* 8" C/C BACKSPLASH MOUNT
  - \* SWIVELLING SEAT DISKS
  - \* HOT SIDE STEM - RIGHT HAND
  - \* COLD SIDE STEM - LEFT HAND
  - \* STAINLESS STEEL SEATS
  - \* STAINLESS STEEL SEAT SCREWS
  - \* STAINLESS STEEL HANDLE SCREWS
  - \* 1/2" SLIP JOINT
- SYSTEM LIMITS
- \* TEMP: 40°F MIN. TO 140°F MAX.
  - \* PRESSURE: 200 PSI MAX. STATIC
  - \* 2.20 GPM AT 80 PSI

SHIPPING WEIGHT

- \* 5.0 LBS

ROUGH-IN:



**FISHER**

FISHER MANUFACTURING COMPANY  
TOLL FREE: 800-421-6162 - FAX: 800-832-8238  
information@fisher-mfg.com - www.fisher-mfg.com