

APPLICATION:

JOB NAME:

QUANTITY: ITEM NO.

PRODUCT NAME:

4" C/C DECK FAUCET

_____ SPECIAL CONFIGURATION
CHECK BASE MODEL AND OPTIONS

MODEL:

3515 W/ 12" SWIVEL GOOSENECK SPOUT

3525 W/ 6" SWIVEL GOOSENECK SPOUT

OPTIONS OR MODIFICATIONS:

SUPPLY LINES (24" OR 36") CIRCLE LENGTH

VANDAL RESISTANT KIT

HANDLES (CROSS OR WRIST) CIRCLE STYLE

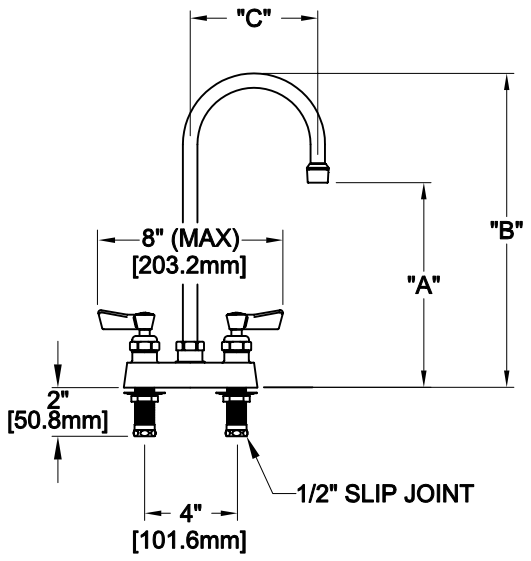
OTHER _____

- FEATURES:
- * 4" C/C DECK MOUNT
 - * SWIVELING SEAT DISKS
 - * HOT SIDE STEM - RIGHT HAND
 - * COLD SIDE STEM - LEFT HAND
 - * STAINLESS STEEL SEATS
 - * STAINLESS STEEL SEAT SCREWS
 - * STAINLESS STEEL HANDLE SCREWS
 - * 1/2" SLIP JOINT KIT

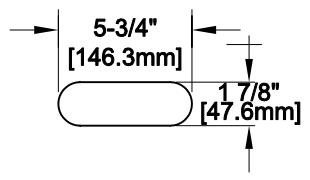
- SYSTEM LIMITS
- * TEMP: 40°F MIN. TO 140°F MAX.
 - * PRESSURE 200 PSI MAX. STATIC
 - * 2.20 GPM AT 80 PSI

SHIPPING WEIGHT

* 4.75 LBS

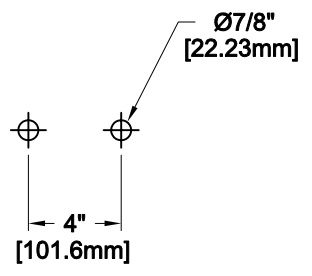


FOOTPRINT:



MODEL	DIM "A"	DIM "B"	DIM "C"
3515	8-1/2" [215.9mm]	12-1/2" [317.5mm]	5-1/2" [139.7mm]
3525	4-3/4" [120.7mm]	8-3/8" [212.7mm]	3-1/2" [88.90mm]

ROUGH-IN:



FISHER
FISHER MANUFACTURING COMPANY
TOLL FREE: 800-421-6162 - FAX: 800-832-8238
information@fisher-mfg.com - www.fisher-mfg.com