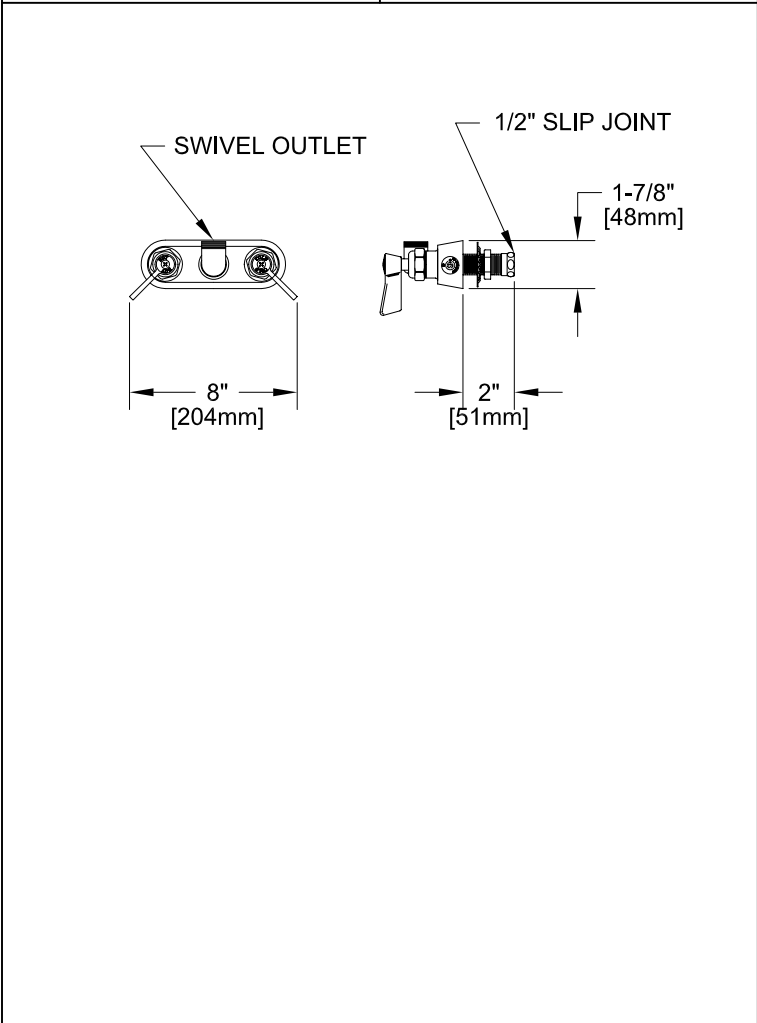


APPLICATION:  
 JOB NAME:  
 QUANTITY:      ITEM NO.

PRODUCT NAME:  
 4" C/C BACKSPLASH MOUNT  
 CONTROL VALVE - SWIVEL  
 SPECIAL CONFIGURATION  
 CHECK BASE MODEL AND OPTIONS



MODEL:  
 3600-CV  
 OPTIONS OR MODIFICATIONS:  
 OTHER \_\_\_\_\_

FEATURES

CONTROL VALVE

- \* 4" BACKSPLASH
- \* INTERNAL SPRING LOADED CHECK VALVES
- \* SWIVELLING SEAT DISKS
- \* HOT SIDE STEM - RIGHT HAND
- \* COLD SIDE STEM - LEFT HAND
- \* STAINLESS STEEL SEATS
- \* STAINLESS STEEL SEAT SCREWS
- \* STAINLESS STEEL HANDLE SCREWS

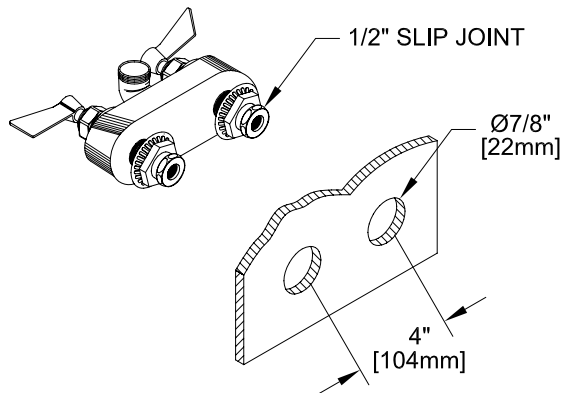
SYSTEM LIMITS

- \* TEMP: 40°F MIN. TO 140°F MAX.
- \* PRESSURE: 200 PSI MAX. STATIC

SHIPPING WEIGHT

- \* 3.75 LBS

ROUGH-IN:



ANSI/A112.18.1M

**FISHER**  
 FISHER MANUFACTURING COMPANY  
 TOLL FREE: 800-421-6162 - FAX: 800-832-8238  
 information@fisher-mfg.com - www.fisher-mfg.com