

APPLICATION:  
 JOB NAME:

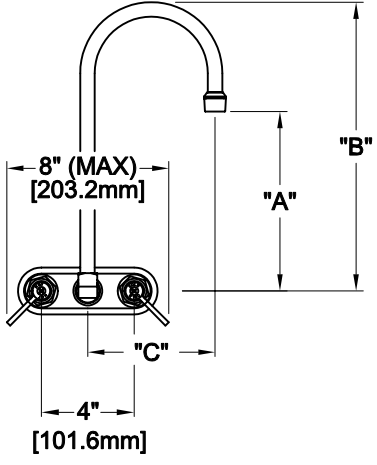
PRODUCT NAME:  
 4" C/C BACKSPLASH FAUCET  
 WITH RIGID GOOSENECK SPOUT  
 SPECIAL CONFIGURATION  
 CHECK BASE MODEL AND OPTIONS

QUANTITY:

ITEM NO.

MODEL:  
 3616 4" C/C BACKSPLASH W/ 12" RGN  
 2003 W/ 6" RIGID GOOSENECK SPOUT

OPTIONS OR MODIFICATIONS:  
 SUPPLY LINES (24" OR 36") CIRCLE LENGTH  
 IN-LINE DUAL CHECK VALVE  
 ELBOWS  
 VANDAL RESISTANT KIT  
 HANDLES (CROSS OR WRIST) CIRCLE STYLE  
 OTHER \_\_\_\_\_



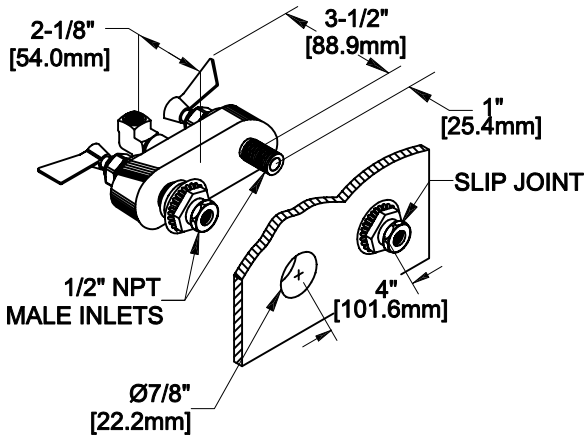
MODEL	DIM "A"	DIM "B"	DIM "C"
3616	8-3/4" [222.3mm]	12-1/2" [317.5mm]	5-1/2" [139.7mm]
2003	5" [127.0mm]	8-3/4" [222.3mm]	3-1/2" [88.9mm]

FEATURES:  
 CONTROL VALVE  
 \* 4" C/C BACKSPLASH  
 \* INTERNAL SPRING LOADED CHECK VALVES  
 \* SWIVELING SEAT DISKS  
 \* HOT SIDE STEM - LEFT HAND  
 \* COLD SIDE STEM - RIGHT HAND  
 \* STAINLESS STEEL SEATS  
 \* STAINLESS STEEL SEAT SCREWS  
 \* STAINLESS STEEL HANDLE SCREWS  
 \* 1/2" SLIP JOINT KIT INCLUDED

SYSTEM LIMITS  
 \* TEMP: 40°F MIN. TO 140°F MAX.  
 \* PRESSURE 200 PSI MAX. STATIC  
 \* 2.2 GPM AT 80 PSI

SHIPPING WEIGHT  
 \* 4.5 LBS

ROUGH-IN:



**FISHER**  
 FISHER MANUFACTURING COMPANY  
 TOLL FREE: 800-421-6162 - FAX: 800-832-8238  
 information@fisher-mfg.com - www.fisher-mfg.com