

APPLICATION:

JOB NAME:

QUANTITY: ITEM NO.

PRODUCT NAME:

SINGLE DECK KETTLE FILLER

_____ SPECIAL CONFIGURATION
CHECK BASE MODEL AND OPTIONS

MODEL:

4010 WITH 6" SWING SPOUT

4011 WITH 8" SWING SPOUT

4012 WITH 10" SWING SPOUT

4013 WITH 12" SWING SPOUT

4014 WITH 14" SWING SPOUT

2143 WITH 16" SWING SPOUT

OPTIONS OR MODIFICATIONS:

SUPPLY LINES (24" OR 36") CIRCLE LENGTH

HANDLES (CROSS OR WRIST) CIRCLE STYLE

VANDAL RESISTANT KIT

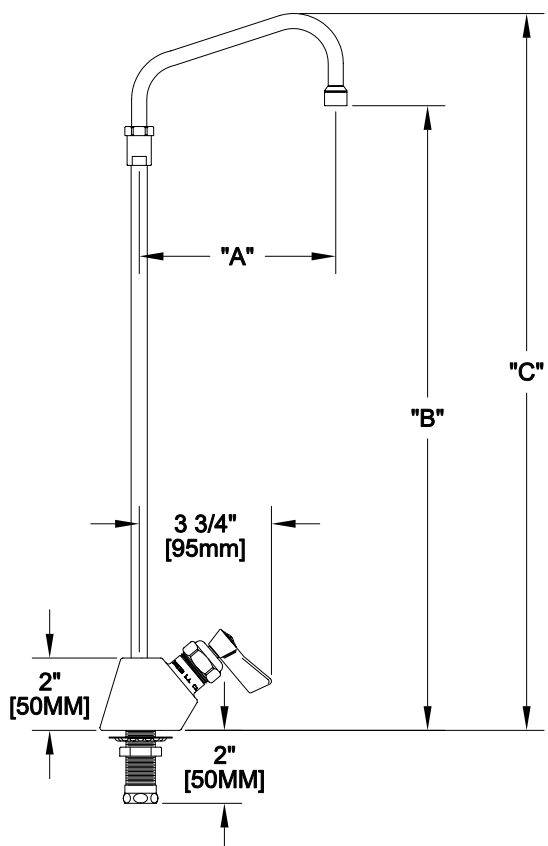
OTHER _____

FEATURES

- CONTROL VALVE**
- * SINGLE DECK
 - * SWIVELLING SEAT DISKS
 - * STEM - LEFT HAND
 - * STAINLESS STEEL SEATS
 - * STAINLESS STEEL SEAT SCREWS
 - * STAINLESS STEEL HANDLE SCREWS
 - * HOT & COLD INDEX BUTTONS

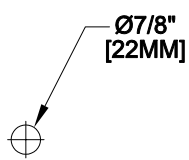
- SYSTEM LIMITS**
- * TEMP: 40°F MIN. TO 140°F MAX.
 - * PRESSURE 200 PSI MAX. STATIC
 - * 2.20 GPM @ 80 PSI

- SHIPPING WEIGHT**
- * 4.5 LBS



| MODEL | DIM "A" | DIM "B" | DIM "C" |
|-------|----------------|--------------------|--------------------|
| 4010 | 6" [152MM] | 23" [584MM] | 26-5/8" [676MM] |
| 4011 | 8" [203MM] | 23-1/4" [590MM] | 27-1/8" [689MM] |
| 4012 | 10" [254MM] | 23-7/8" [606MM] | 27-5/8" [701MM] |
| 4013 | 12" [304MM] | 24-1/2" [622MM] | 28" [711MM] |
| 4014 | 14" [355MM] | 25-1/4" [640MM] | 29" [736MM] |
| 2143 | 16" [406MM] | 25-7/8" [657MM] | 29-5/8" [752MM] |

ROUGH-IN:



ANSI/A112.18.1M

FISHER
FISHER MANUFACTURING COMPANY
TOLL FREE: 800-421-6162 - FAX: 800-832-8238
information@fisher-mfg.com - www.fisher-mfg.com