

**APPLICATION:**

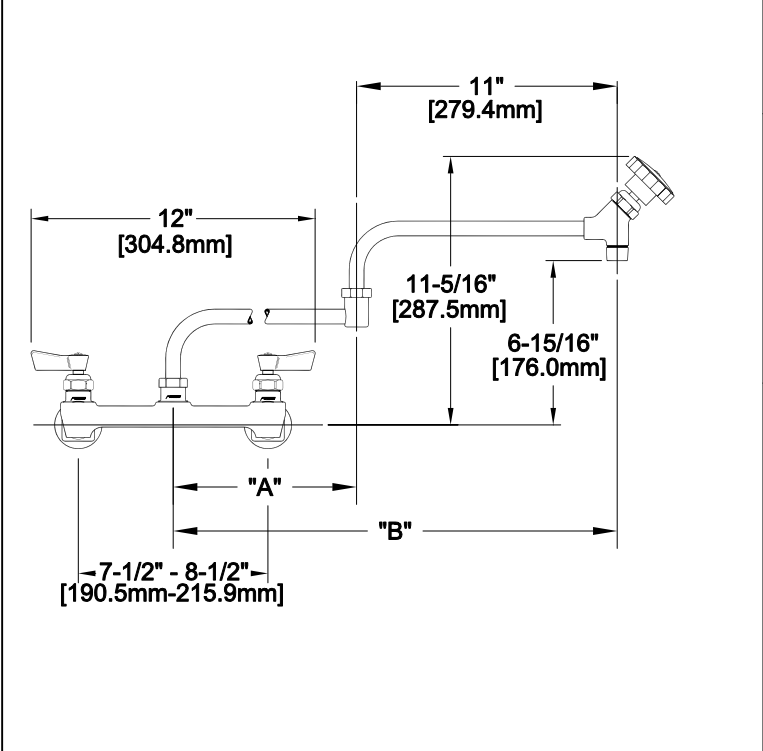
**JOB NAME:**

**PRODUCT NAME:**

**ADJ. WALL POT FILLER W/DJ SPOUT**

**QUANTITY:** \_\_\_\_\_ **ITEM NO.** \_\_\_\_\_

\_\_\_\_\_ **SPECIAL CONFIGURATION**  
 \_\_\_\_\_ **CHECK BASE MODEL AND OPTIONS**



**MODEL:**

4230 W/ 18" DJ SWING SPOUT

4231 W/ 24" DJ SWING SPOUT

**OPTIONS OR MODIFICATIONS:**

SUPPLY LINES (24" OR 36") CIRCLE LENGTH

NIPPLES

ELBOWS

HANDLES (CROSS OR WRIST) CIRCLE STYLE

VANDAL RESISTANT KIT

OTHER \_\_\_\_\_

**FEATURES:**

- \* ECCENTRICS ADJUST FROM 7-1/2" TO 8-1/2"
- \* INTERNAL SPRING LOADED CHECK VALVES
- \* SWIVELLING SEAT DISKS
- \* HOT SIDE STEM - RIGHT HAND, COLD - LEFT HAND
- \* SPOUT STEM - RIGHT HAND
- \* STAINLESS STEEL SEAT SCREWS
- \* STAINLESS STEEL HANDLE SCREWS

**SYSTEM LIMITS**

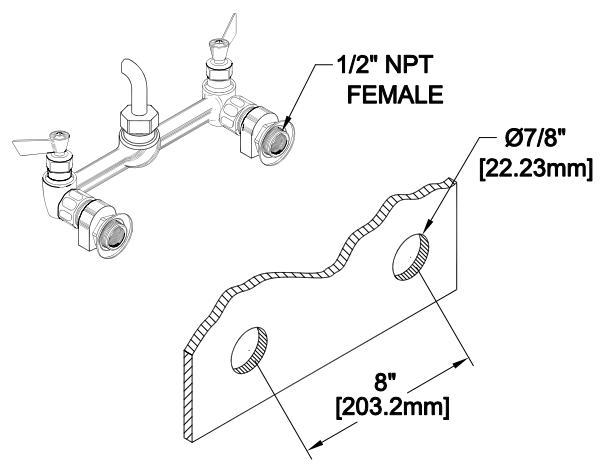
- \* TEMP: 40°F MIN. TO 140°F MAX.
- \* PRESSURE 200 PSI MAX. STATIC
- \* 5.00 GPM @ 80 PSI

**SHIPPING WEIGHT**

- \* 6.0 LBS

MODEL	DIM "A"	DIM "B"
4230	7" [177.8mm]	18" [457.2mm]
4231	13" [330.2mm]	24" [609.6mm]

**ROUGH-IN:**



ANSI/A112.18.1M

**FISHER**  
 FISHER MANUFACTURING COMPANY  
 TOLL FREE: 800-421-6162 - FAX: 800-832-8238  
 information@fisher-mfg.com - www.fisher-mfg.com