

APPLICATION:
JOB NAME:

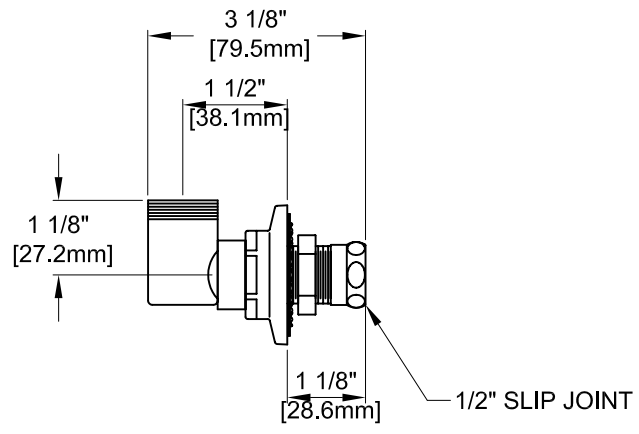
PRODUCT NAME: STAINLESS STEEL
SINGLE BASE BACKSPASH MOUNT
WITH SWIVEL OUTLET
 SPECIAL CONFIGURATION
CHECK BASE MODEL AND OPTIONS

QUANTITY:

ITEM NO.

MODEL:
 46647

OPTIONS OR MODIFICATIONS:
 OTHER _____

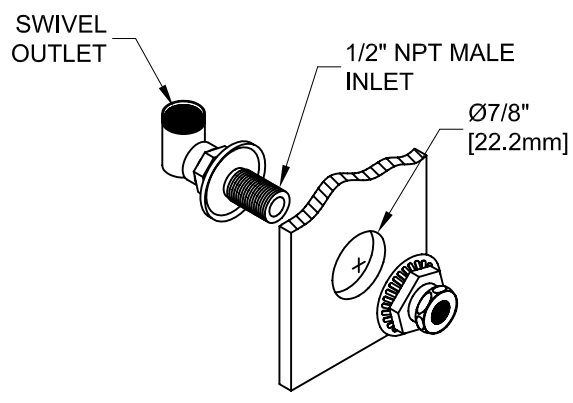


FEATURES:
* BACKSPASH MOUNT
* SWIVEL OUTLET
* 1/2" NPT INLET
* PLATED CHROME BODY
* 1/2" SLIP JOINT KIT INCLUDED

SYSTEM LIMITS
* TEMP: 40°F MIN. TO 140° MAX.
* PRESSURE: 200 PSI MAX. STATIC

SHIPPING WEIGHT
* 0.625 LBS

ROUGH-IN:



FISHER MANUFACTURING COMPANY
TOLL FREE: 800-421-6162 - FAX: 800-832-8238
information@fisher-mfg.com - www.fisher-mfg.com

ANSI/A112.18.1M