

APPLICATION:

PRODUCT NAME: STAINLESS STEEL  
DOUBLE KNEE CONTROL VALVE  
FLOOR MOUNT

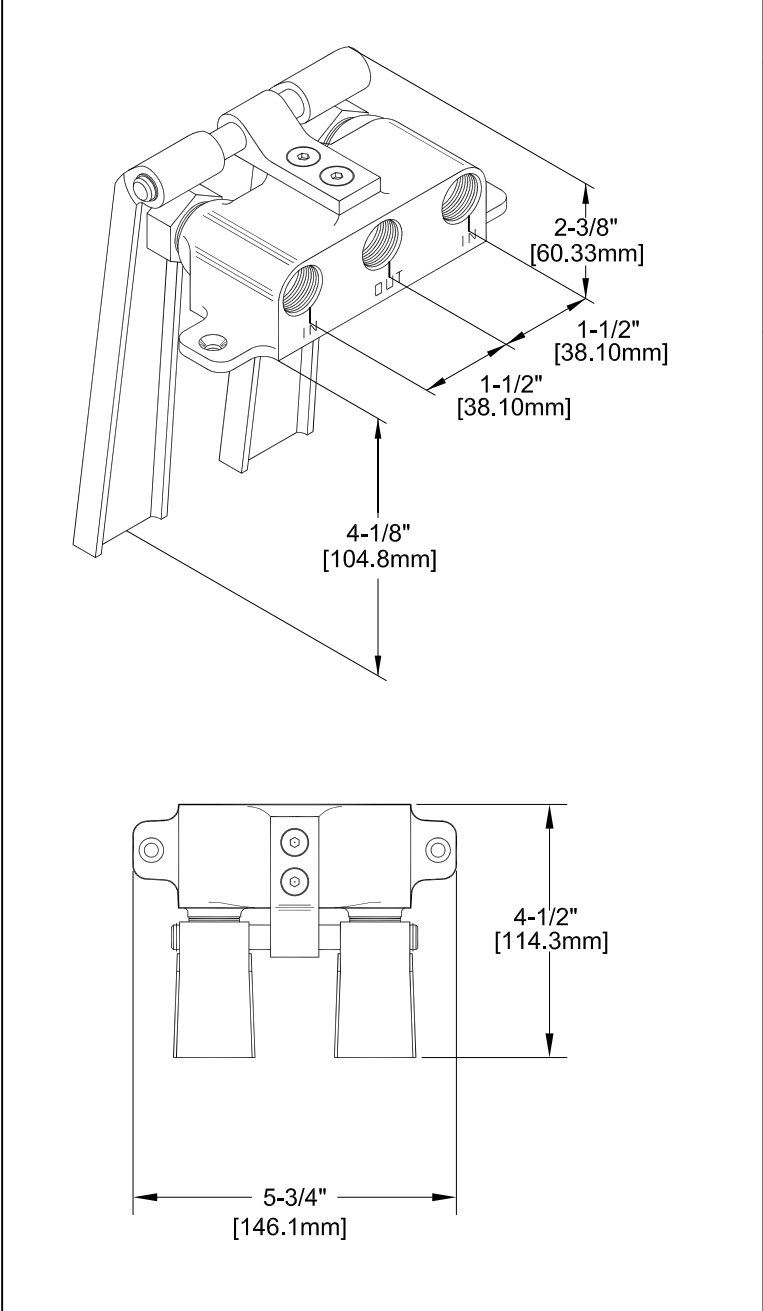
JOB NAME:

SPECIAL CONFIGURATION  
 CHECK BASE MODEL AND OPTIONS

QUANTITY:

ITEM NO.

MODEL:  
 47988



OPTIONS OR MODIFICATIONS:  
 SUPPLY LINES (24" OR 36") CIRCLE LENGTH  
 NIPPLES  
 ELBOWS  
 HANDLES (CROSS OR WRIST) CIRCLE STYLE  
 VANDAL RESISTANT KIT  
 OTHER \_\_\_\_\_

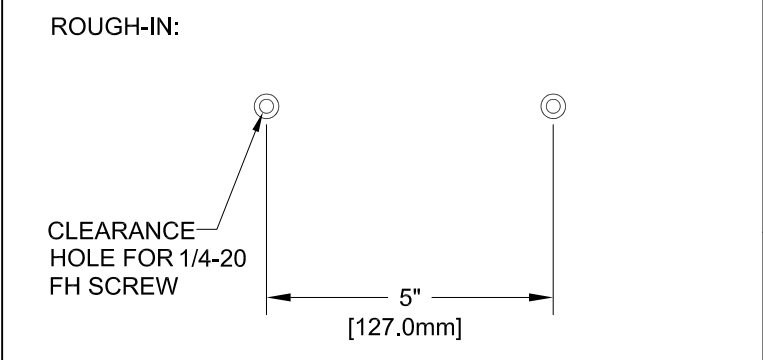
FEATURES

- \* PEDAL ANODIZED ALUMINUM
- \* CYLINDER CLOSING WITH WATER FLOW
- \* POLISHED CHROME

RECOMMENDED SETTINGS  
 \* 110°F AT 80 PSI

SYSTEM LIMITS  
 \* TEMP: 40°F MIN. TO 140°F MAX.  
 \* PRESSURE 200 PSI MAX. STATIC

SHIPPING WEIGHT  
 \* 3.5 LBS



**FISHER**  
 FISHER MANUFACTURING COMPANY  
 TOLL FREE: 800-421-6162 - FAX: 800-832-8238  
 information@fisher-mfg.com - www.fisher-mfg.com

ANSI/A112.18.1M