

APPLICATION:

JOB NAME:

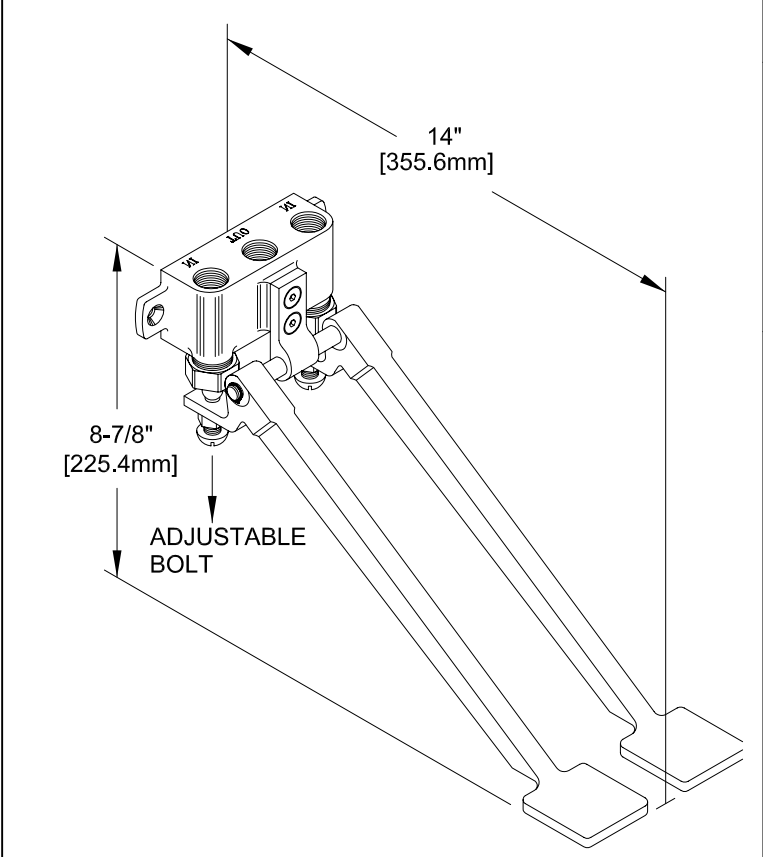
PRODUCT NAME:
 STAINLESS STEEL DOUBLE PEDAL
 CONTROL VALVE WALL MOUNT

_____ SPECIAL CONFIGURATION
 _____ CHECK BASE MODEL AND OPTIONS

QUANTITY:

ITEM NO.

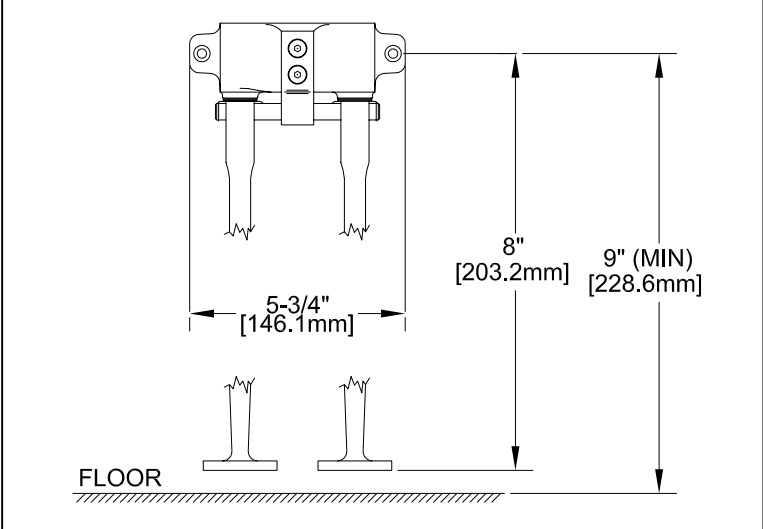
MODEL:
 48070



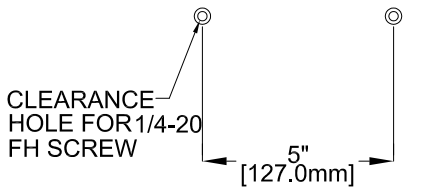
OPTIONS OR MODIFICATIONS:
 SUPPLY LINES (24" OR 36") CIRCLE LENGTH
 NIPPLES
 ELBOWS
 HANDLES (CROSS OR WRIST) CIRCLE STYLE
 VANDAL RESISTANT KIT
 OTHER _____

FEATURES

- * PEDAL ANODIZED ALUMINUM
 - * CYLINDER CLOSING WITH WATER FLOW
 - * POLISHED CHROME
- RECOMMENDED SETTINGS**
- * 110°F AT 80 PSI
- SYSTEM LIMITS**
- * TEMP: 40°F MIN. TO 140°F MAX.
 - * PRESSURE 200 PSI MAX. STATIC
- SHIPPING WEIGHT**
- * 4.0 LBS
- * NSF 61-9 APPROVED & LISTED
www.truesdail.com



ROUGH-IN:



ANSI/A112.18.1M

FISHER
 FISHER MANUFACTURING COMPANY
 TOLL FREE: 800-421-6162 - FAX: 800-832-8238
information@fisher-mfg.com - www.fisher-mfg.com