

PRODUCT NAME: STAINLESS STEEL  
WALL MOUNT FAUCET WITH DJ SWING SPOUT

MODEL:  
 48518 W/ LEVER HANDLES  
 48879 W/ WRIST HANDLES

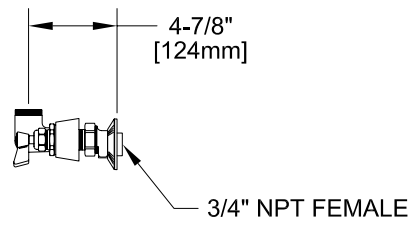
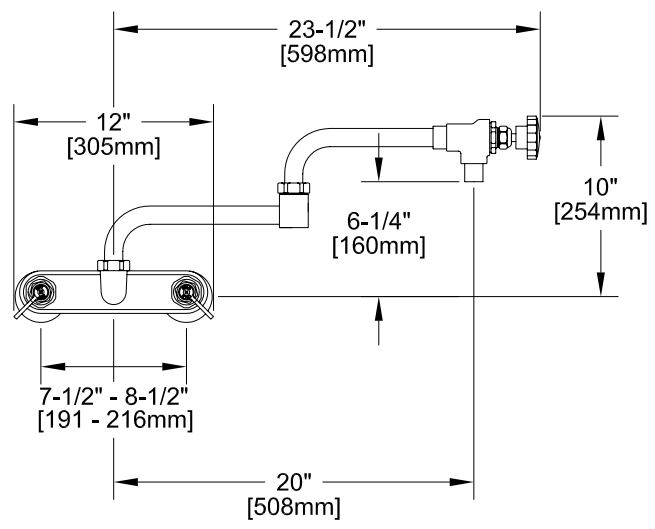
FEATURES

- CONTROL VALVE
- \* ECCENTRICS ADJUST FROM 7-1/2" TO 8-1/2"
  - \* INTERNAL SPRING LOADED CHECK VALVES
  - \* HOT SIDE STEM - RIGHT HAND
  - \* COLD SIDE STEM - LEFT HAND
  - \* SWIVELLING SEAT DISKS
  - \* STAINLESS STEEL SEATS
  - \* STAINLESS STEEL SEAT SCREWS
  - \* STAINLESS STEEL HANDLE SCREWS
  - \* SHUT-OFF SPOUT

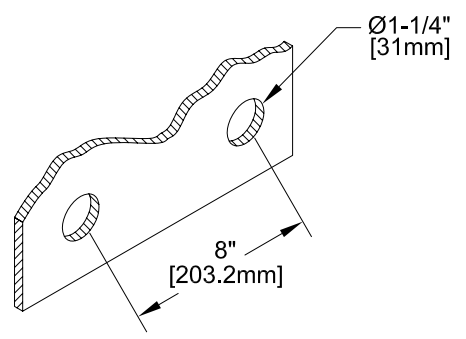
- SYSTEM LIMITS
- \* TEMP: 40°F MIN. TO 140°F MAX.
  - \* PRESSURE: 200 PSI MAX. STATIC
  - \* 29 GPM AT 80 PSI

SHIPPING WEIGHT  
\* 10.0 LBS

\* NSF 61-9 APPROVED & LISTED  
[www.truesdail.com](http://www.truesdail.com)



ROUGH-IN:



ANSI/A112.18.1-2005

FISHER

FISHER MANUFACTURING COMPANY  
 TOLL FREE: 800-421-6162 - FAX: 800-832-8238  
[information@fisher-mfg.com](mailto:information@fisher-mfg.com) - [www.fisher-mfg.com](http://www.fisher-mfg.com)