

APPLICATION:

PRODUCT NAME:  
**SWIVEL SPOUT ASSEMBLY**

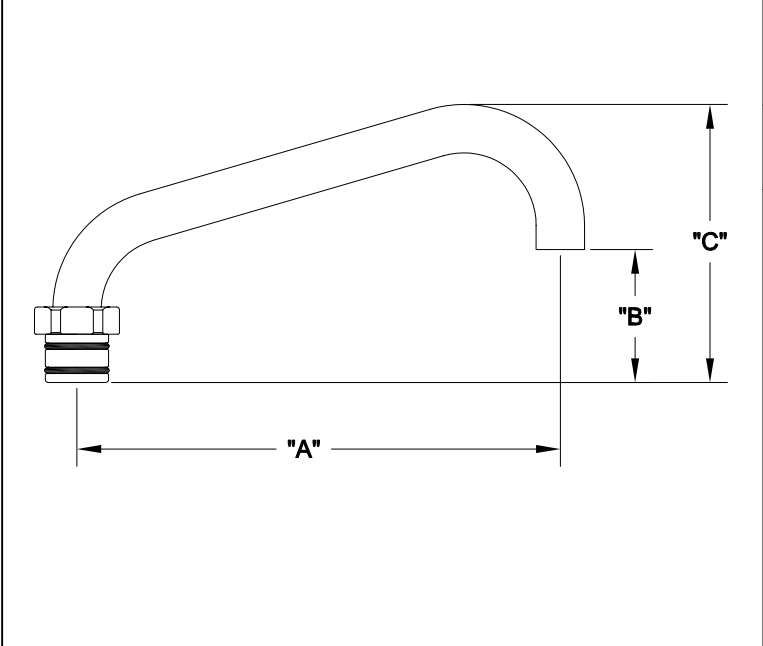
JOB NAME:

SPECIAL CONFIGURATION  
 CHECK BASE MODEL AND OPTIONS

QUANTITY:

ITEM NO.

MODEL:  
 5000-0020 7" SWIVEL SPOUT  
 5000-0001 10" SWIVEL SPOUT  
 5000-0002 14" SWIVEL SPOUT



OPTIONS OR MODIFICATIONS:  
 OTHER \_\_\_\_\_

**FEATURES**

RECOMMENDED SETTINGS  
 \* 110°F AT 80 PSI

SYSTEM LIMITS  
 \* TEMP: 40°F MIN. TO 140°F MAX.  
 \* PRESSURE: 200 PSI MAX. STATIC

SHIPPING WEIGHT  
 \* 1.0 LBS

MODEL	DIM "A"	DIM "B"	DIM "C"
5000-0020	7-3/8" [187mm]	1-1/2" [38mm]	4-1/2" [114mm]
5000-0001	10" [254mm]	2-1/8" [54mm]	5-1/4" [133mm]
5000-0002	14" [356mm]	3-1/2" [89mm]	6-3/4" [171mm]