

APPLICATION:

PRODUCT NAME:
SINGLE DECK FAUCET

JOB NAME:

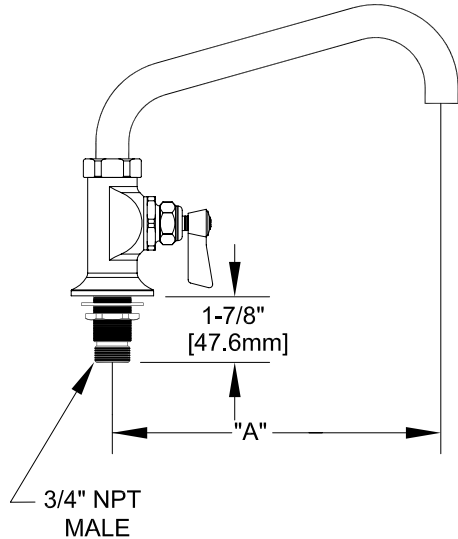
SPECIAL CONFIGURATION
 CHECK BASE MODEL AND OPTIONS

QUANTITY:

ITEM NO.

MODEL:
 5012 W/10" SWING SPOUT
 5014 W/14" SWING SPOUT

OPTIONS OR MODIFICATIONS:
 VANDAL RESISTANT KIT
 HANDLES (CROSS OR WRIST) CIRCLE STYLE
 OTHER _____



MODEL	DIM "A"
5012	10" [254.0mm]
5014	14" [355.6mm]

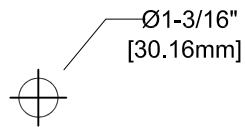
FEATURES
CONTROL VALVE
* SINGLE DECK
* STEM - LEFT HAND
* HOT AND COLD INDEX BUTTONS
* SWIVELLING SEAT DISK
* STAINLESS STEEL SEAT
* STAINLESS STEEL SEAT SCREW
* STAINLESS STEEL HANDLE SCREW

RECOMMENDED SETTINGS
* 110°F AT 80 PSI

SYSTEM LIMITS
* TEMP: 40°F MIN. TO 140°F MAX.
* PRESSURE: 200 PSI MAX. STATIC
* 29 GPM @ 80 PSI

SHIPPING WEIGHT
* 7.0 LBS

ROUGH-IN:



ANSI/A112.18.1M

FISHER
FISHER MANUFACTURING COMPANY
TOLL FREE: 800-421-6162 - FAX: 800-832-8238
information@fisher-mfg.com - www.fisher-mfg.com