

PRODUCT NAME: **STAINLESS STEEL  
8" C/C BACKSPLASH FAUCET**

- MODEL:
- 60100 10" SWING SPOUT W/ LEVER HANDLES
  - 60275 10" SWING SPOUT W/ WRIST HANDLES
  - 51179 14" SWING SPOUT W/ LEVER HANDLES
  - 51209 14" SWING SPOUT W/ WRIST HANDLES

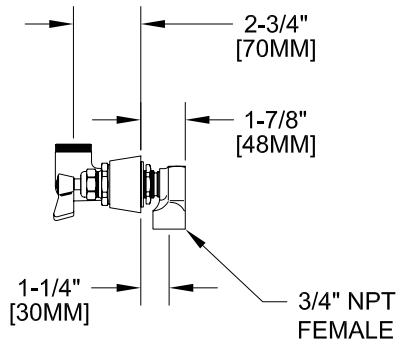
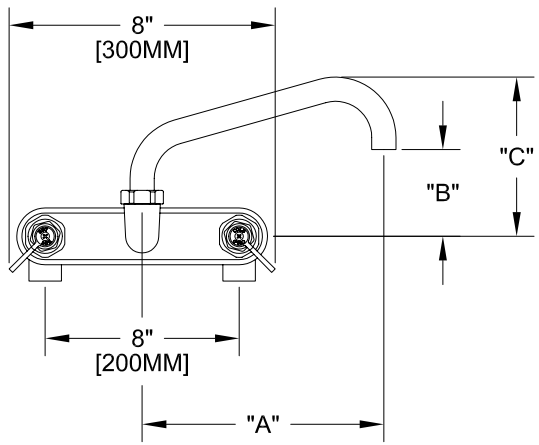
- FEATURES
- \* 8" BACKSPLASH
  - \* SWIVELLING SEAT DISKS
  - \* HOT SIDE STEM - LEFT HAND
  - \* COLD SIDE STEM - RIGHT HAND
  - \* STAINLESS STEEL SEATS
  - \* STAINLESS STEEL SEAT SCREWS
  - \* STAINLESS STEEL HANDLE SCREWS
  - \* CLOSE ELBOWS

RECOMMENDED SETTINGS  
\* 110°F AT 80 PSI

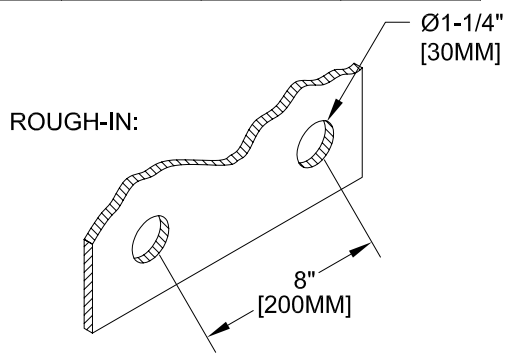
SYSTEM LIMITS  
\* TEMP: 40°F MIN. TO 140°F MAX.  
\* PRESSURE: 200 PSI MAX. STATIC  
\* 37 GPM AT 80 PSI

SHIPPING WEIGHT  
\* 9.0 LBS

\* NSF 61-9 APPROVED & LISTED  
[www.truedail.com](http://www.truedail.com)



MODEL	DIM "A"	DIM "B"	DIM "C"
60100	10" [250MM]	3-5/8" [92MM]	6-5/8" [168MM]
60275	10" [250MM]	3-5/8" [92MM]	6-5/8" [168MM]
51179	14" [350MM]	4-3/4" [120MM]	7-3/4" [197MM]
51209	14" [350MM]	4-3/4" [120MM]	7-3/4" [197MM]



ANSI/A112.18.1-2005

**FISHER**  
FISHER MANUFACTURING COMPANY  
TOLL FREE: 800-421-6162 - FAX: 800-832-8238  
[information@fisher-mfg.com](mailto:information@fisher-mfg.com) - [www.fisher-mfg.com](http://www.fisher-mfg.com)