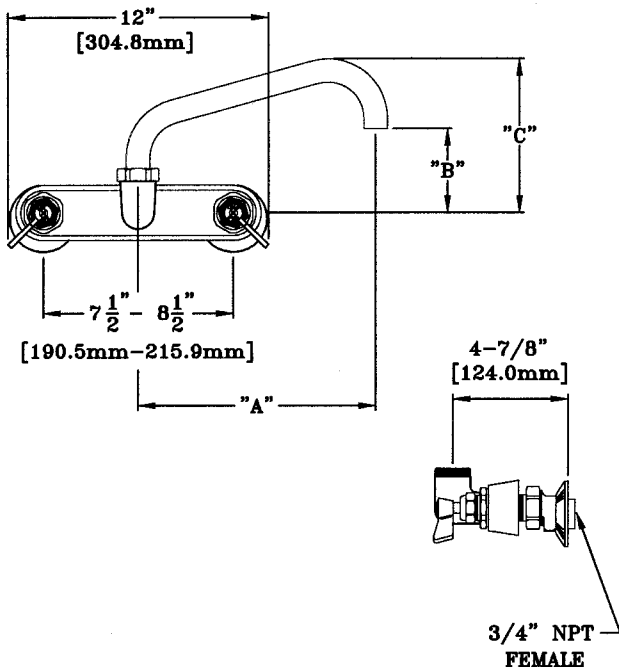


PRODUCT NAME:

**WALL MOUNT FAUCET ADJ.**



\_\_\_\_\_ SPECIAL CONFIGURATION  
(CHECK BASE MODEL AND OPTIONS)

MODEL:

5212 W/10" SWING SPOUT

5214 W/14" SWING SPOUT

OPTIONS OR MODIFICATIONS:

VANDAL RESISTANT KIT

HANDLES (CROSS OR WRIST) CIRCLE STYLE

OTHER \_\_\_\_\_

FEATURES:

- \* ECCENTRICS ADJUST FROM 7-1/2" TO 8-1/2"
- \* SWIVELLING SEAT DISKS
- \* HOT SIDE STEM - RIGHT HAND, COLD - LEFT HAND
- \* STAINLESS STEEL SEATS
- \* STAINLESS STEEL SEAT SCREWS
- \* STAINLESS STEEL HANDLE SCREWS

RECOMMENDED SETTINGS

- \* 110°F AT 80 PSI

SYSTEM LIMITS

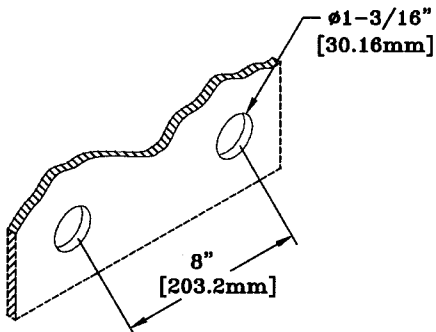
- \* TEMP: 40°F MIN. TO 140°F MAX.
- \* PRESSURE 200 PSI MAX. STATIC
- \* 37 GPM @ 80 PSI

SHIPPING WEIGHT

- \* 9.5 LBS

MODEL	DIM "A"	DIM "B"	DIM "C"
5212	10" [254.0mm]	3-9/16" [91.10mm]	6-9/16" [167.3mm]
5214	14" [355.6mm]	4-11/16" [119.6mm]	7-11/16" [196.1mm]

ROUGH-IN:



ANSI/A112.18.1M

FISHER MANUFACTURING COMPANY