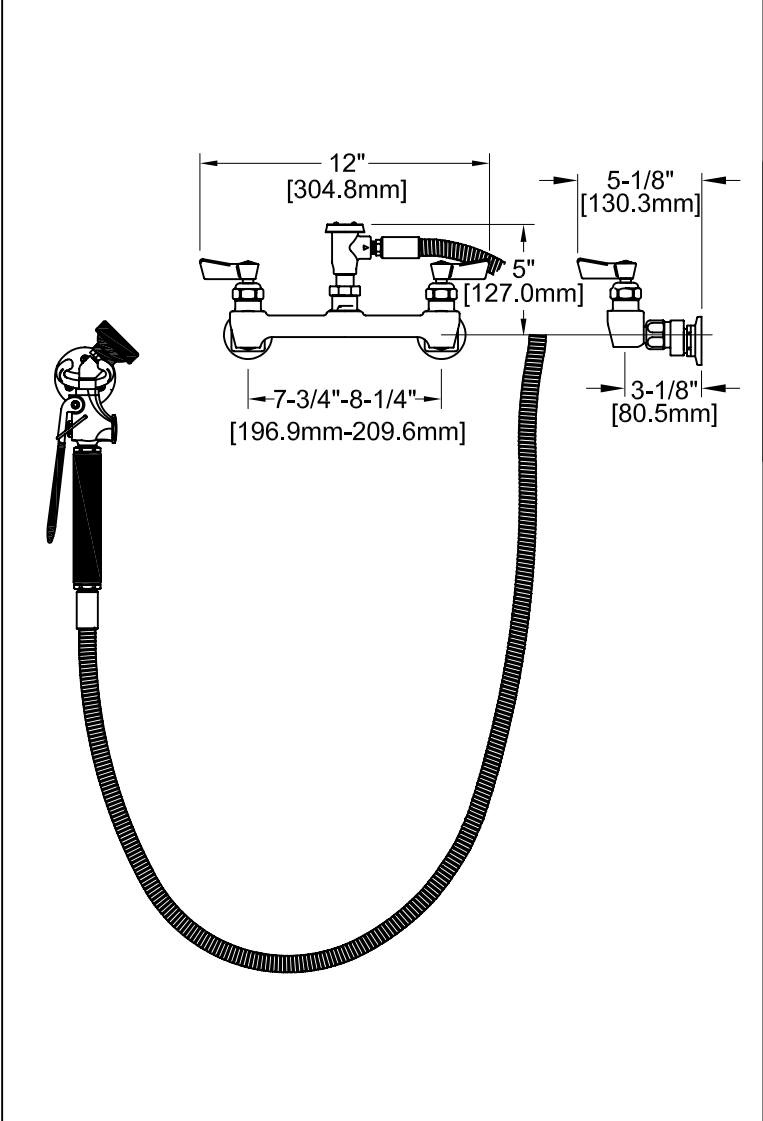


|              |           |
|--------------|-----------|
| APPLICATION: |           |
| JOB NAME:    |           |
| QUANTITY:    | ITEM NO.: |

|  |
|--|
| PRODUCT NAME:<br>8" ADJUSTABLE WALL MOUNT<br>UTILITY SPRAY   |
| <input checked="" type="checkbox"/> 52493 SPECIAL CONFIGURATION<br><input type="checkbox"/> CHECK BASE MODEL AND OPTIONS |
| MODEL:<br><input checked="" type="checkbox"/> 2260   |



- OPTIONS OR MODIFICATIONS
- SUPPLY LINES (24" OR 36") CIRCLE LENGTH
  - ADD-ON FAUCET (6", 8", 10", 12", 14", 16") CIRCLE
  - BACKFLOW PREVENTER
  - PIPE HOOK
  - NIPPLES
  - ELBOWS
  - BRUSH
  - VANDAL RESISTANT KIT
  - HANDLES (CROSS OR WRIST) CIRCLE STYLE
  - OTHER \_\_\_\_\_

- FEATURES:
- CONTROL VALVE**
- \*ECCENTRICS ADJUST FROM 7-1/2" TO 8-1/2"
  - \*INTERNAL SPRING LOADED CHECK VALVES
  - \*SWIVELLING SEAT DISKS
  - \*HOT SIDE STEM - RIGHT HAND
  - \*COLD SIDE STEM - LEFT HAND
  - \*STAINLESS STEEL SEATS
  - \*STAINLESS STEEL SEAT SCREWS
  - \*STAINLESS STEEL HANDLE SCREWS
- HOSE**
- \*72" LENGTH
  - \*STAINLESS STEEL END FITTINGS
  - \*STAINLESS STEEL EXTERNAL JACKET
  - \*3-PLY FIBER REINFORCED INTERNAL RUBBER HOSE
  - \*REPAIRABLE IN FIELD WITH SIMPLE TOOLS

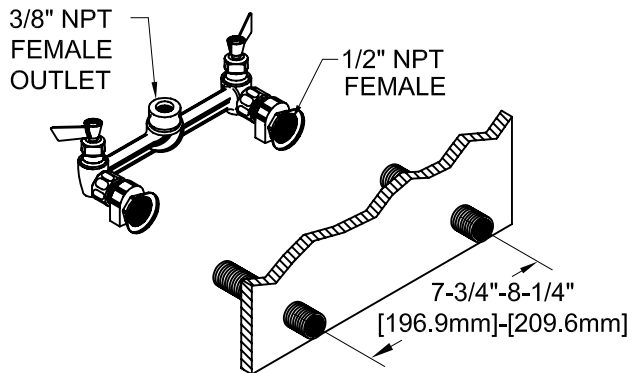
- UTILITY SPRAY VALVE**
- \*NOZZLE THREADED INTO VALVE
  - \*2.65 GPM AT 80 PSI
  - \*SHOWER SPRAY PATTERN
  - \*45° ANGLED HEAD

- SWIVEL ELBOW**
- \*360° TURNING RADIUS
  - \*ATMOSPHERIC VACUUM BREAKER

- SYSTEM LIMITS**
- \*TEMP: 40°F MIN. TO 140°F MAX.
  - \*PRESSURE 200 PSI MAX. STATIC

- SHIPPING WEIGHT**
- \*9.0 LBS

ROUGH-IN:



APPLICATION:  
JOB NAME:

PRODUCT NAME:  
3-1/2" STAINLESS STEEL  
BASKET STRAINER  
SPECIAL CONFIGURATION  
52493 CHECK BASE MODEL AND OPTIONS

QUANTITY:

ITEM NO.

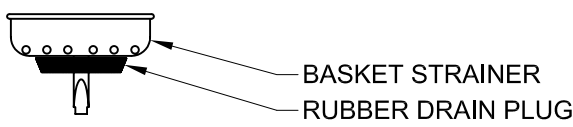
MODEL:  
30376 w/ BASKET STRAINER

OPTIONS OR MODIFICATIONS:  
 OTHER \_\_\_\_\_

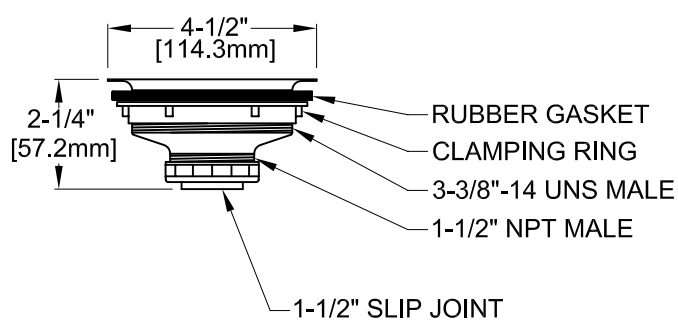
FEATURES:  
\* STAINLESS STEEL BODY  
\* STAINLESS STEEL BASKET STRAINER WITH RUBBER DRAIN PLUG  
\* 1-1/2" SLIP JOINT INCLUDED

DRAIN RATE:  
\* 12 GPM

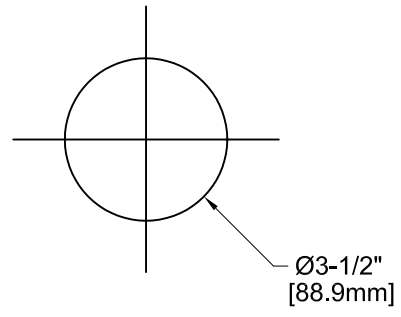
SHIPPING WEIGHT  
\* 1.0 LBS



BASKET STRAINER  
RUBBER DRAIN PLUG



ROUGH-IN:



**FISHER**  
FISHER MANUFACTURING COMPANY  
TOLL FREE: 800-421-6162 - FAX: 800-832-8238  
information@fisher-mfg.com - www.fisher-mfg.com