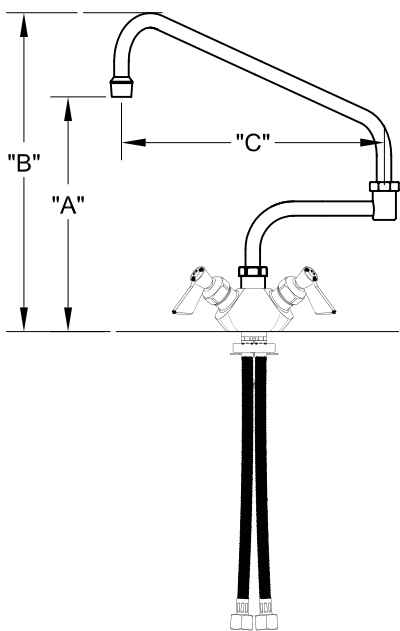
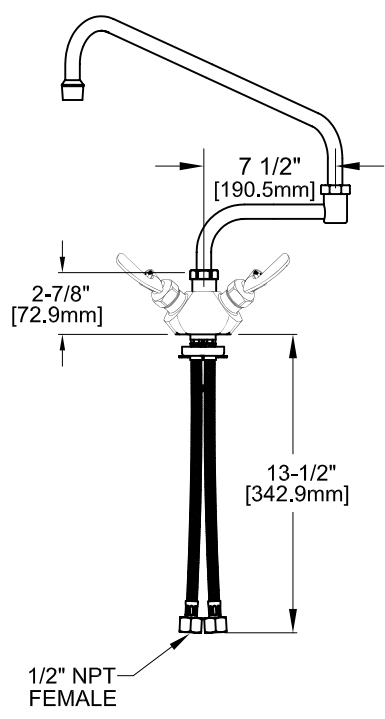


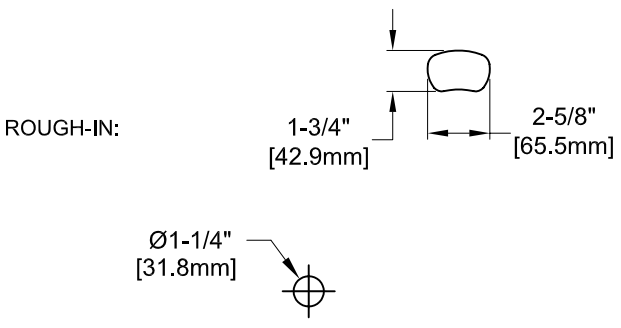
SINGLE DECK DUAL CONTROL FAUCET W/ LEVER HANDLES



SINGLE DECK DUAL CONTROL FAUCET W/ WRIST HANDLES



FOOTPRINT:



PRODUCT NAME: STAINLESS STEEL
SINGLE DECK DUAL CONTROL FAUCET

- MODEL:**
- 52825 W/ 6" SWING SPOUT W/ 7" DJ & LEVER HANDLES
 - 52833 W/ 8" SWING SPOUT W/ 7" DJ & LEVER HANDLES
 - 52841 W/ 10" SWING SPOUT W/ 7" DJ & LEVER HANDLES
 - 52868 W/ 12" SWING SPOUT W/ 7" DJ & LEVER HANDLES
 - 52876 W/ 14" SWING SPOUT W/ 7" DJ & LEVER HANDLES
 - 52884 W/ 16" SWING SPOUT W/ 7" DJ & LEVER HANDLES
 - 57320 W/ 6" SWING SPOUT W/ 7" DJ & WRIST HANDLES
 - 57339 W/ 8" SWING SPOUT W/ 7" DJ & WRIST HANDLES
 - 57347 W/ 10" SWING SPOUT W/ 7" DJ & WRIST HANDLES
 - 57355 W/ 12" SWING SPOUT W/ 7" DJ & WRIST HANDLES
 - 57363 W/ 14" SWING SPOUT W/ 7" DJ & WRIST HANDLES
 - 57371 W/ 16" SWING SPOUT W/ 7" DJ & WRIST HANDLES

- FEATURES**
- CONTROL VALVE**
- * SINGLE DECK DUAL CONTROL
 - * STAINLESS STEEL CONSTRUCTION
 - * SWIVELLING SEAT DISKS
 - * HOT SIDE STEM - RIGHT HAND
 - * COLD SIDE STEM - LEFT HAND
 - * LEVER HANDLES OR WRIST HANDLES
 - * STAINLESS STEEL BRAIDED HOSE
- SYSTEM LIMITS**
- * TEMP: 40°F MIN. TO 140°F MAX. STATIC
 - * PRESSURE 200 PSI MAX.
 - * 2.20 GPM AT 80 PSI

SHIPPING WEIGHT

- * 4.75 LBS

* NSF 61-9 APPROVED & LISTED
www.truesdail.com

MODELS	DIM "A"	DIM "B"	DIM "C"
52825 57320	6-1/8" [155.5mm]	9-3/4" [247.6mm]	6" [152mm]
52833 57339	6-13/16" [173mm]	10-7/16" [265.1mm]	8" [204mm]
52841 57347	7-7/16" [188.9mm]	11-1/16" [280.9mm]	10" [254mm]
52868 57355	8-1/8" [206.3mm]	11-3/4" [298.4mm]	12" [305mm]
52876 57363	8-11/16" [220.6mm]	12-5/16" [312.7mm]	14" [356mm]
52884 57371	9-3/8" [238.1mm]	12-15/16" [328.6mm]	16" [406mm]

FISHER
FISHER MANUFACTURING COMPANY
TOLL FREE: 800-421-6162 - FAX: 800-832-8238
information@fisher-mfg.com - www.fisher-mfg.com