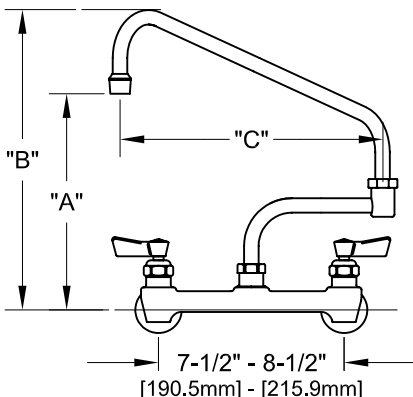
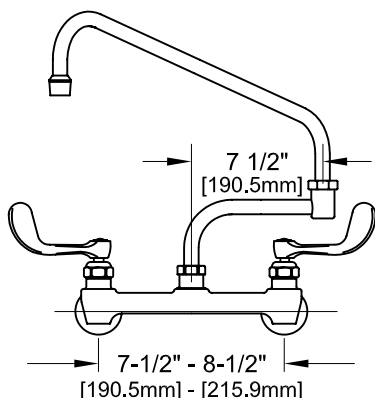


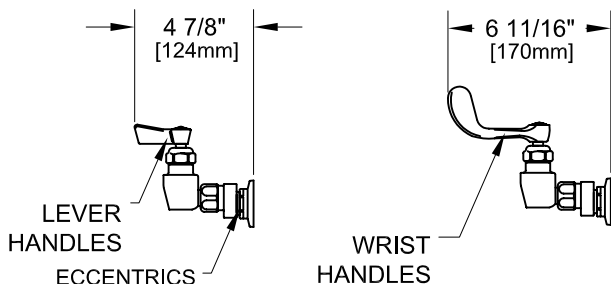
7-1/2" - 8-1/2" ADJ. WALL W/ LEVER HANDLES



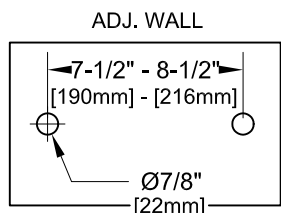
7-1/2" - 8-1/2" ADJ. WALL W/ WRIST HANDLES



7-1/2" - 8-1/2" ADJ. WALL



ROUGH-IN:



ANSI/A112.18.1-2005

PRODUCT NAME: STAINLESS STEEL  
7-1/2" - 8-1/2" ADJUSTABLE WALL FAUCET

MODEL:

- 53163 W/ 6" SWING SPOUT W/ 7" DJ & LEVER HANDLES
- 53171 W/ 8" SWING SPOUT W/ 7" DJ & LEVER HANDLES
- 53198 W/ 10" SWING SPOUT W/ 7" DJ & LEVER HANDLES
- 53201 W/ 12" SWING SPOUT W/ 7" DJ & LEVER HANDLES
- 53228 W/ 14" SWING SPOUT W/ 7" DJ & LEVER HANDLES
- 53236 W/ 16" SWING SPOUT W/ 7" DJ & LEVER HANDLES
- 57517 W/ 6" SWING SPOUT W/ 7" DJ & WRIST HANDLES
- 57525 W/ 8" SWING SPOUT W/ 7" DJ & WRIST HANDLES
- 57533 W/ 10" SWING SPOUT W/ 7" DJ & WRIST HANDLES
- 57541 W/ 12" SWING SPOUT W/ 7" DJ & WRIST HANDLES
- 57568 W/ 14" SWING SPOUT W/ 7" DJ & WRIST HANDLES
- 57576 W/ 16" SWING SPOUT W/ 7" DJ & WRIST HANDLES

FEATURES

CONTROL VALVE

- \* 7-1/2" - 8-1/2" ADJUSTABLE WALL MOUNT
- \* ECCENTRICS
- \* STAINLESS STEEL CONSTRUCTION
- \* SWIVELLING SEAT DISKS
- \* HOT SIDE STEM - RIGHT HAND
- \* COLD SIDE STEM - LEFT HAND
- \* LEVER HANDLES OR WRIST HANDLES
- \* SWING SPOUT

SYSTEM LIMITS

- \* TEMP: 40°F MIN. TO 140°F MAX.

SHIPPING WEIGHT

- \* 6.0 LBS

\* NSF 61-9 APPROVED & LISTED

[www.truesdail.com](http://www.truesdail.com)

MODELS	DIM "A"	DIM "B"	DIM "C"
53163 57517	5-3/4" [146.05mm]	9-3/8" [244.48mm]	6" [152mm]
53171 57525	6-7/16" [163.51mm]	10-1/16" [255.58mm]	8" [204mm]
53198 57533	7-1/16" [179.38mm]	10-11/16" [271.46mm]	10" [254mm]
53201 57541	7-3/4" [196.85mm]	11-3/8" [295.27mm]	12" [305mm]
53228 57568	8-5/16" [211mm]	11-15/16" [303.21mm]	14" [356mm]
53236 57576	9" [228.6mm]	12-9/16" [319.08mm]	16" [406mm]

**FISHER**

FISHER MANUFACTURING COMPANY

TOLL FREE: 800-421-6162 - FAX: 800-832-8238

[information@fisher-mfg.com](mailto:information@fisher-mfg.com) - [www.fisher-mfg.com](http://www.fisher-mfg.com)