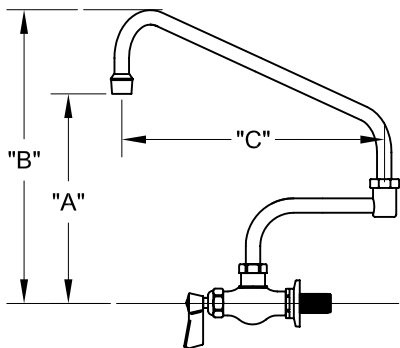
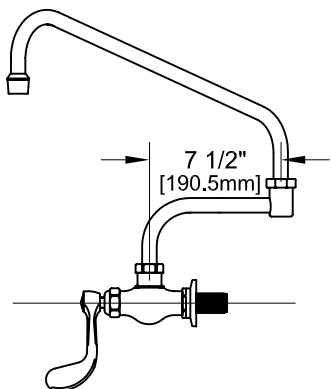


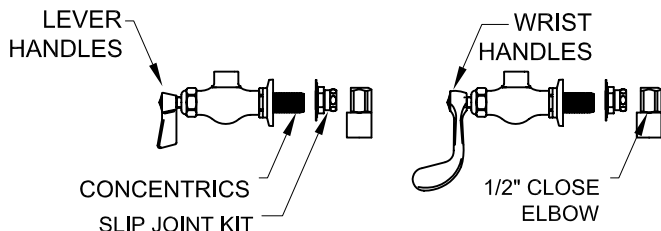
SINGLE FAUCET W/ LEVER HANDLES



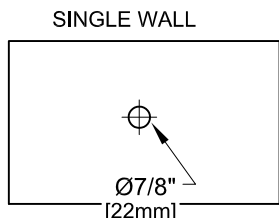
SINGLE WALL FAUCET W/ WRIST HANDLES



SINGLE WALL FAUCET



ROUGH-IN:



PRODUCT NAME: STAINLESS STEEL SINGLE WALL FAUCET

MODEL:

- 53341 W/ 6" SWING SPOUT W/ 7" DJ & LEVER HANDLES
- 53368 W/ 8" SWING SPOUT W/ 7" DJ & LEVER HANDLES
- 53376 W/ 10" SWING SPOUT W/ 7" DJ & LEVER HANDLES
- 53384 W/ 12" SWING SPOUT W/ 7" DJ & LEVER HANDLES
- 53392 W/ 14" SWING SPOUT W/ 7" DJ & LEVER HANDLES
- 53406 W/ 16" SWING SPOUT W/ 7" DJ & LEVER HANDLES
- 58823 W/ 6" SWING SPOUT W/ 7" DJ & WRIST HANDLES
- 58831 W/ 8" SWING SPOUT W/ 7" DJ & WRIST HANDLES
- 58858 W/ 10" SWING SPOUT W/ 7" DJ & WRIST HANDLES
- 58866 W/ 12" SWING SPOUT W/ 7" DJ & WRIST HANDLES
- 58874 W/ 14" SWING SPOUT W/ 7" DJ & WRIST HANDLES
- 58882 W/ 16" SWING SPOUT W/ 7" DJ & WRIST HANDLES

FEATURES

CONTROL VALVE

- \* SINGLE WALL MOUNT
- \* CONCENTRICS OR ECCENTRICS
- \* STAINLESS STEEL CONSTRUCTION
- \* SWIVELLING SEAT DISKS
- \* HOT SIDE STEM - RIGHT HAND
- \* COLD SIDE STEM - LEFT HAND
- \* LEVER HANDLES OR WRIST HANDLES
- \* 1/2" CLOSE ELBOWS
- \* SWING SPOUT

SYSTEM LIMITS

- \* TEMP: 40°F MIN. TO 140°F MAX.

SHIPPING WEIGHT

- \* 5.0 LBS

\* NSF 61-9 APPROVED & LISTED

[www.truesdail.com](http://www.truesdail.com)

MODELS	DIM "A"	DIM "B"	DIM "C"
53341 58823	5-3/4" [146.05mm]	9-3/8" [244.48mm]	6" [152mm]
53368 58831	6-7/16" [163.51mm]	10-1/16" [255.58mm]	8" [204mm]
53376 58858	7-1/16" [179.38mm]	10-11/16" [271.46mm]	10" [254mm]
53384 58866	7-3/4" [196.85mm]	11-3/8" [295.27mm]	12" [305mm]
53392 58874	8-5/16" [211mm]	11-15/16" [303.21mm]	14" [356mm]
53406 58882	9" [228.6mm]	12-9/16" [319.08mm]	16" [406mm]



FISHER MANUFACTURING COMPANY

TOLL FREE: 800-421-6162 - FAX: 800-832-8238

[information@fisher-mfg.com](mailto:information@fisher-mfg.com) - [www.fisher-mfg.com](http://www.fisher-mfg.com)