

PRODUCT NAME: STAINLESS STEEL
4" BACKSPLASH PRE-RINSE

MODEL:
 53899 4" BACKSPLASH PRI-RINSE W/ LEVER HANDLES
 74969 4" BACKSPLASH PRI-RINSE W/ WRIST HANDLES

FEATURES

CONTROL VALVE

- * 4" C/C BACKSPLASH MOUNT
- * CONCENTRICS
- * INTERNAL SPRING LOADED CHECK VALVES
- * SWIVELLING SEAT DISKS
- * HOT SIDE STEM - RIGHT HAND
- * COLD SIDE STEM - LEFT HAND
- * STAINLESS STEEL SEATS
- * STAINLESS STEEL SEAT SCREWS
- * STAINLESS STEEL HANDLE SCREWS

HOSE

- * 36" LENGTH
- * STAINLESS STEEL END FITTINGS
- * STAINLESS STEEL EXTERNAL JACKET
- * 3 PLY FIBER REINFORCED INTERNAL RUBBER HOSE
- * REPAIRABLE IN FIELD WITH SIMPLE TOOLS

ULTRA SPRAY VALVE

- * LOWEST ENERGY USER - 1.15 GPM @ 60 PSI
- * CLEANS FASTER - TEST PROVEN
- * ENGINEERED TO LAST - NO 'O' RINGS TO LEAK
- * INTERCHANGEABLE - FITS ALL BRANDS

WALL BRACKET

- * ADJUSTS FROM 2" TO 12"

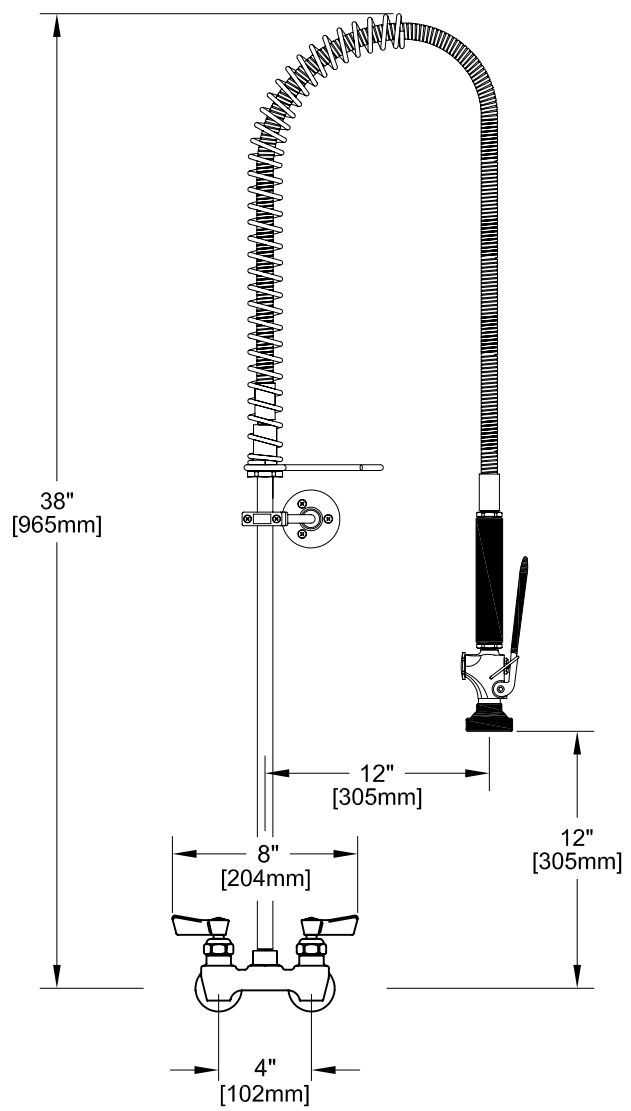
SYSTEM LIMITS

- * TEMP: 40°F MIN. TO 140°F MAX.
- * PRESSURE: 200 PSI MAX. STATIC

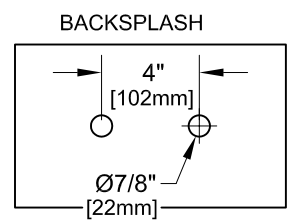
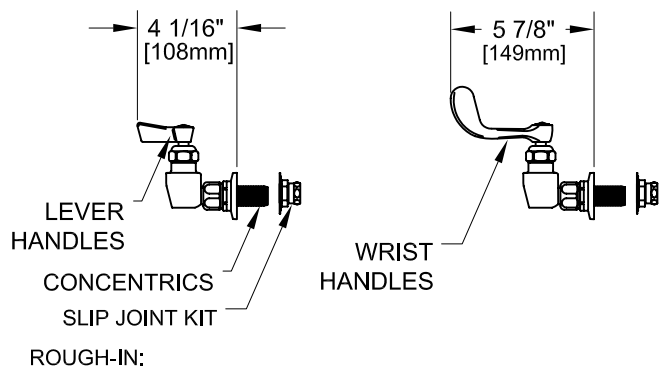
SHIPPING WEIGHT

- * 12.0 LBS

* NSF 61-9 APPROVED & LISTED
www.truedail.com



8" C/C BACKSPLASH FAUCET



ANSI/A112.18.1-2005

FISHER
 FISHER MANUFACTURING COMPANY
 TOLL FREE: 800-421-6162 - FAX: 800-832-8238
information@fisher-mfg.com - www.fisher-mfg.com