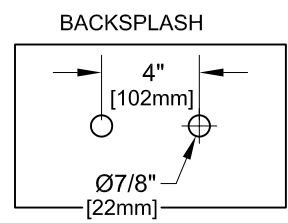
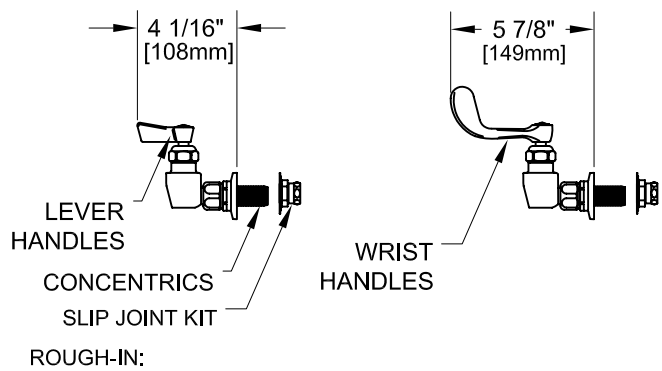


8" C/C BACKSPASH FAUCET



PRODUCT NAME: STAINLESS STEEL
4" BACKSPASH PRE-RINSE WITH ADD-ON

- MODEL:
- 53902 6" SWING SPOUT W/ LEVER HANDLES
 - 53910 8" SWING SPOUT W/ LEVER HANDLES
 - 53929 10" SWING SPOUT W/ LEVER HANDLES
 - 53937 12" SWING SPOUT W/ LEVER HANDLES
 - 53945 14" SWING SPOUT W/ LEVER HANDLES
 - 53953 16" SWING SPOUT W/ LEVER HANDLES
 - 74977 6" SWING SPOUT W/ WRIST HANDLES
 - 74985 8" SWING SPOUT W/ WRIST HANDLES
 - 74993 10" SWING SPOUT W/ WRIST HANDLES
 - 75000 12" SWING SPOUT W/ WRIST HANDLES
 - 75019 14" SWING SPOUT W/ WRIST HANDLES
 - 75027 16" SWING SPOUT W/ WRIST HANDLES

FEATURES:

- CONTROL VALVE
- * 4" C/C BACKSPASH MOUNT
 - * CONCENTRICS
 - * INTERNAL SPRING LOADED CHECK VALVES
 - * SWIVELLING SEAT DISKS
 - * HOT SIDE STEM - RIGHT HAND
 - * COLD SIDE STEM - LEFT HAND
 - * STAINLESS STEEL SEATS
 - * STAINLESS STEEL SEAT SCREWS
 - * STAINLESS STEEL HANDLE SCREWS

- ADD-ON CONTROL VALVE
- * STEM - RIGHT HAND SWIVEL
 - * HOT INDEX BUTTON
 - * SWIVELLING SEAT DISKS
 - * STAINLESS STEEL SEATS, SEAT SCREWS AND HANDLE SCREWS.

- HOSE
- * 36" LENGTH
 - * STAINLESS STEEL END FITTINGS
 - * STAINLESS STEEL EXTERNAL JACKET
 - * 3-PLY FIBER REINFORCED INTERNAL RUBBER HOSE
 - * REPAIRABLE IN FIELD WITH SIMPLE TOOLS

- ULTRA SPRAY VALVE
- * LOWEST ENERGY USER - 1.15 GPM @ 60 PSI
 - * CLEANS FASTER - TEST PROVEN
 - * ENGINEERED TO LAST - NO 'O' RINGS TO LEAK
 - * INTERCHANGEABLE - FITS ALL BRANDS

- WALL BRACKET
- * ADJUSTS FROM 2" TO 12"

- SYSTEM LIMITS
- * TEMP: 40°F MIN. TO 140°F MAX. STATIC
 - * PRESSURE 200 PSI MAX. STATIC
 - * SHIPPING WEIGHT: 15.0 LBS

* NSF 61-9 APPROVED & LISTED
www.truesdail.com



FISHER MANUFACTURING COMPANY
TOLL FREE: 800-421-6162 - FAX: 800-832-8238
information@fisher-mfg.com - www.fisher-mfg.com