

**APPLICATION:**

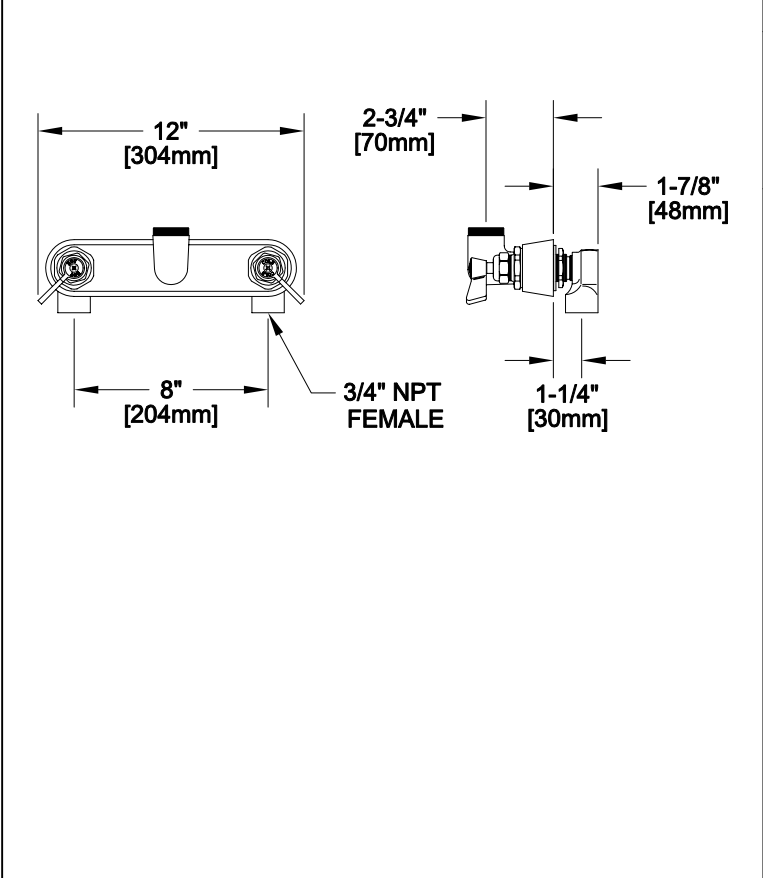
**JOB NAME:**

**QUANTITY:**                      **ITEM NO.**

**PRODUCT NAME:**  
8" C/C BACKSPLASH MOUNT CONTROL VALVE

SPECIAL CONFIGURATION  
CHECK BASE MODEL AND OPTIONS

**MODEL:**  
■ 5400



**OPTIONS OR MODIFICATIONS:**

HANDLES (CROSS OR WRIST) CIRCLE STYLE

VANDAL RESISTANT KIT

OTHER \_\_\_\_\_

- FEATURES**
- CONTROL VALVE**
- \* 8" BACKSPLASH MOUNT
  - \* SWIVEL OUTLET
  - \* SWIVELLING SEAT DISKS
  - \* HOT SIDE STEM - RIGHT HAND
  - \* COLD SIDE STEM - LEFT HAND
  - \* STAINLESS STEEL SEATS
  - \* STAINLESS STEEL SEAT SCREWS
  - \* STAINLESS STEEL HANDLE SCREWS
  - \* CLOSE ELBOWS

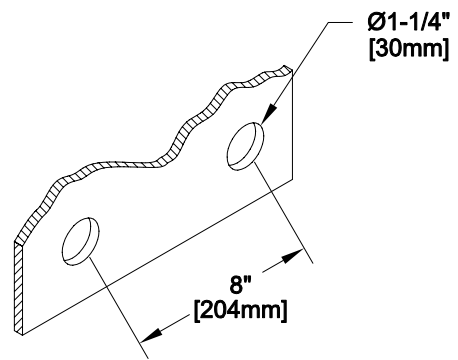
**SYSTEM LIMITS**

- \* TEMP: 40°F MIN. TO 140°F MAX.
- \* PRESSURE: 200 PSI MAX. STATIC
- \* 37 GPM AT 80 PSI

**SHIPPING WEIGHT**

- \* 7.0 LBS

**ROUGH-IN:**



ANSI/A112.18.1M

**FISHER**  
FISHER MANUFACTURING COMPANY  
TOLL FREE: 800-421-6162 - FAX: 800-832-8238  
information@fisher-mfg.com - www.fisher-mfg.com