

PRODUCT NAME: STAINLESS STEEL  
GLASS FILLER 1/2" M WITH  
1/4" FLARE FITTING

MODEL:  
 54224 GLASS FILLER 1/2" M WITH 1/4" FLARE FITTING

FEATURES

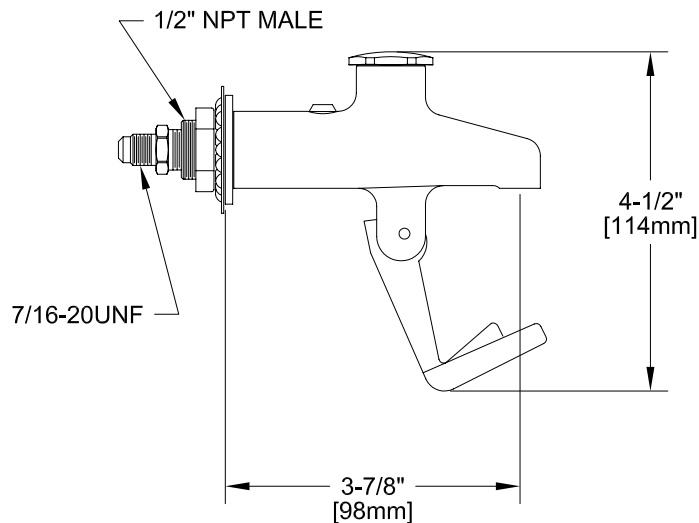
- GLASS FILLER
- \* STAINLESS STEEL HEAD
  - \* TAMPER PROOF VOLUME CONTROL
  - \* HANDLES BOTH PAPER & GLASS CUPS
  - \* NON-MARRING DELRIN PRONG
  - \* STAINLESS STEEL SEAT SCREW
  - \* STAINLESS STEEL STREAM STRAINER

SYSTEM LIMITS

- \* TEMP: 40°F MIN. TO 140°F MAX.
- \* PRESSURE: 100 PSI MAX. STATIC
- \* 2.2 GPM AT 80 PSI

SHIPPING WEIGHT

- \* 1.25 LBS
- \* NSF 61-9 APPROVED & LISTED
- [www.truesdail.com](http://www.truesdail.com)



ROUGH-IN:

