

APPLICATION:

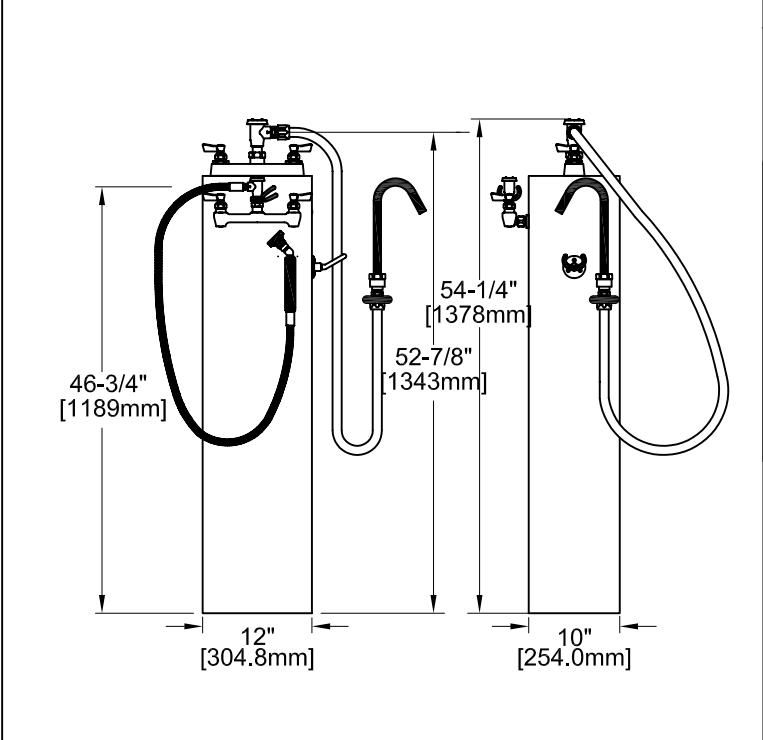
JOB NAME:

PRODUCT NAME:
STAINLESS STEEL FILLKING

SPECIAL CONFIGURATION
 CHECK BASE MODEL AND OPTIONS

QUANTITY: ITEM NO.

MODEL:
 54267



OPTIONS OR MODIFICATIONS:
 3/4" ANGLE STOPS
 6' SUPPLY LINES
 OTHER _____

FEATURES:

- CONTROL VALVES
- * SS 3/4" POT FILLER - DECK MOUNT FAUCET
 - * SS 1/2" UTILITY - BACK SPLASH MOUNTED FAUCET
- BOTH CONTROL VALVES LISTED ABOVE HAVE THE FOLLOWING FEATURES:
- * INTERNAL SPRING LOADED CHECK VALVES
 - * SWIVELING SEAT DISKS
 - * HOT SIDE STEM - RIGHT HAND
 - * COLD SIDE STEM - LEFT HAND
 - * STAINLESS STEEL SEATS
 - * STAINLESS STEEL SEAT SCREWS
 - * STAINLESS STEEL HANDLE SCREWS

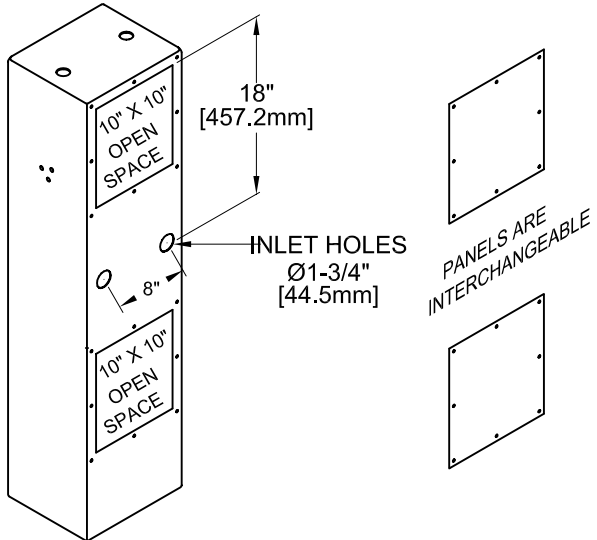
- 3/4" POT FILLER HOSE
- * 72" LG. HEAT MASTER FDA NITRILE/ARAMID
 - * NSF-51 (100 PSI W.P. AT 300°F) CONSTANT
 - * RENEWABLE END FITTINGS AND BUMPER
 - * INLET - 360° SWIVEL VACUUM BREAKER
 - * OUTLET - 360° SWIVEL SPOUT W/ VINYL FINISH

- 1/2" UTILITY HOSE
- * 84" LG. 3-PLY FIBER REINFORCED RUBBER
 - * STAINLESS STEEL EXTERNAL JACKET
 - * STAINLESS STEEL RENEWABLE END FITTINGS
 - * INLET - SWIVEL VACUUM BREAKER
 - * OUTLET - 45° SPRAY HEAD
 - * SHOWER SPRAY PATTERN
 - * THERMAL INSULATED HANDLE

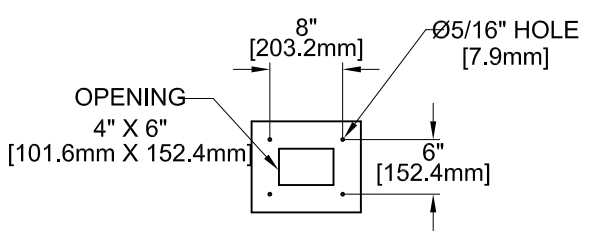
- CABINET
- * STAINLESS STEEL TOWER W/ INTERNAL FLOOR MOUNT FLANGE
 - * INTERCHANGEABLE ACCESS PANELS FOR INSTALLATION AND MAINTENANCE

- SYSTEM LIMITS:
- * TEMP: 40°F MIN. TO 140°F MAX.
 - * PRESSURE: 100 PSI MAX. WORKING
 - * 3/4" POT FILLER: 40 GPM AT 80 PSI
 - * 1/2" UTILITY SPRAY: 2.65 GPM AT 80 PSI

- SHIPPING WEIGHT
- * 78.0 LBS
 - * NSF 61-9 APPROVED & LISTED
 - www.truesdail.com



ROUGH-IN: SEE THE BOTTOM OF THIS BOX



ANSI/A112.18.1M

FISHER
 FISHER MANUFACTURING COMPANY
 TOLL FREE: 800-421-6162 - FAX: 800-832-8238
 information@fisher-mfg.com - www.fisher-mfg.com