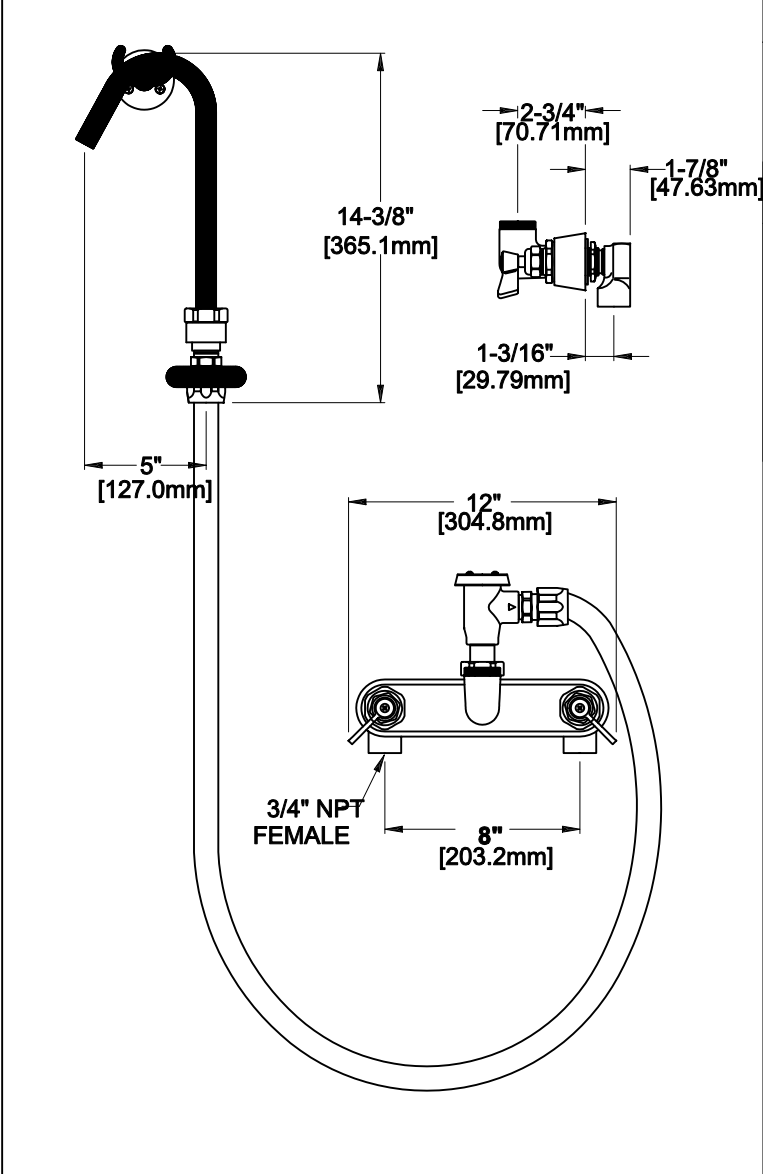


| | |
|--------------|----------|
| APPLICATION: | |
| JOB NAME: | |
| QUANTITY: | ITEM NO. |

| |
|--|
| PRODUCT NAME: BACKSPASH POT FILLER W/VAC. BREAKER |
| <input type="checkbox"/> SPECIAL CONFIGURATION CHECK BASE MODEL AND OPTIONS |
| MODEL: <input type="checkbox"/> 5440 |



| |
|--|
| OPTIONS OR MODIFICATIONS: |
| <input type="checkbox"/> VANDAL RESISTANT KIT |
| <input type="checkbox"/> HANDLES (CROSS OR WRIST) CIRCLE STYLE |
| <input type="checkbox"/> OTHER _____ |

- FEATURES**
- CONTROL VALVE
 - * 8" BACKSPASH
 - * SWIVELING SEAT DISKS
 - * HOT SIDE STEM - RIGHT HAND
 - * COLD SIDE STEM - LEFT HAND
 - * STAINLESS STEEL SEAT
 - * STAINLESS STEEL SEAT SCREW
 - * STAINLESS STEEL HANDLE SCREW
 - * CLOSE ELBOWS

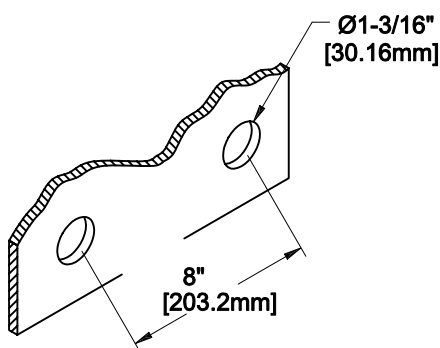
- HOSE**
- * 72" HEAT MASTER FDA NITRILE/ARAMID
 - * NSF-51 (100 PSI W.P. @300
 - * RENEWABLE END FITTINGS & BUMPER
 - * INLET - 360° SWIVEL VACUUM BREAKER
 - * OUTLET - 360° SWIVEL SPOUT W/VINYL FINISH
 - * 360° SWIVEL GOOSENECK
 - * NONMARRING GOOSENECK
 - * SWIVEL ATMOSPHERIC VACUUM BREAKER

- RECOMMENDED SETTINGS**
- * 110°F AT 80 PSI

- SYSTEM LIMITS**
- * TEMP: 40°F MIN. TO 140°F MAX.
 - * PRESSURE: 200 PSI MAX. STATIC
 - * 37 GPM AT 80 PSI

- SHIPPING WEIGHT**
- * 11.0 LBS

ROUGH-IN:



| |
|---|
| <p style="text-align: center;"> ANSI/A112.18.1M </p> |
|---|

FISHER MANUFACTURING COMPANY

TOLL FREE: 800-421-6162 - FAX: 800-832-8238

information@fisher-mfg.com - www.fisher-mfg.com