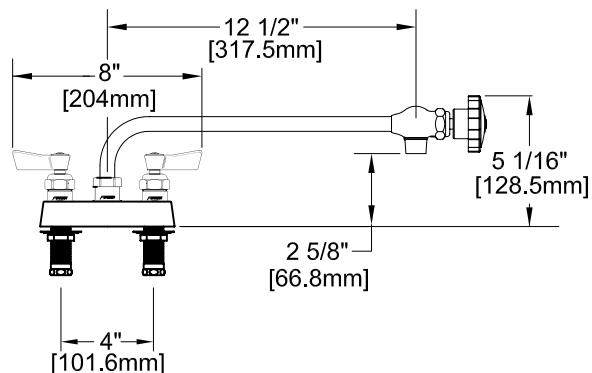
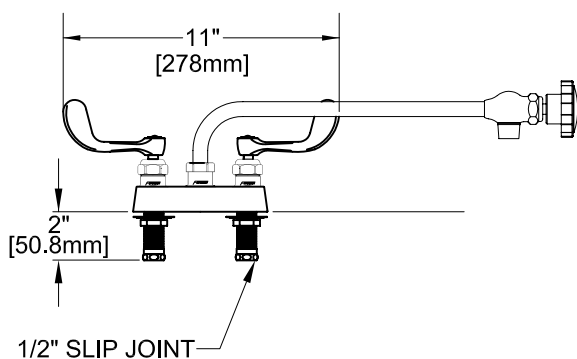


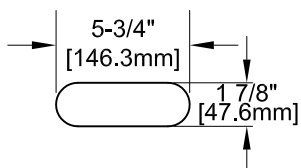
4" DECK MOUNT FAUCET W/ LEVER HANDLES



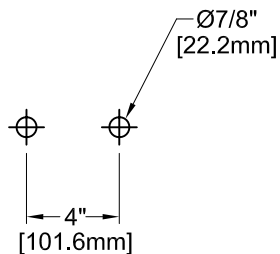
4" DECK MOUNT W/ WRIST HANDLES



FOOTPRINT:



ROUGH-IN:



PRODUCT NAME: STAINLESS STEEL
4" DECK MOUNT FAUCETS

MODEL:

- 54690 W/ 12" CONTROL SWING SPOUT W/ LEVER HANDLES
- 58726 W/ 12" CONTROL SWING SPOUT W/ WRIST HANDLES

FEATURES

- CONTROL VALVE
- * 4" DECK MOUNT
 - * STAINLESS STEEL CONSTRUCTION
 - * SWIVELLING SEAT DISKS
 - * HOT SIDE STEM - RIGHT HAND
 - * COLD SIDE STEM - LEFT HAND
 - * LEVER HANDLES OR WRIST HANDLES
 - * CONTROL SWING SPOUT

SYSTEM LIMITS

- * TEMP: 40°F MIN. TO 140°F MAX.

SHIPPING WEIGHT

- * 6.0 LBS

* NSF 61-9 APPROVED & LISTED

www.truesdail.com



FISHER MANUFACTURING COMPANY

TOLL FREE: 800-421-6162 - FAX: 800-832-8238

information@fisher-mfg.com - www.fisher-mfg.com