

PRODUCT NAME: STAINLESS STEEL UTILITY SPRAY VALVE

MODEL: 54720 W/ 1.15 GPM NOZZLE

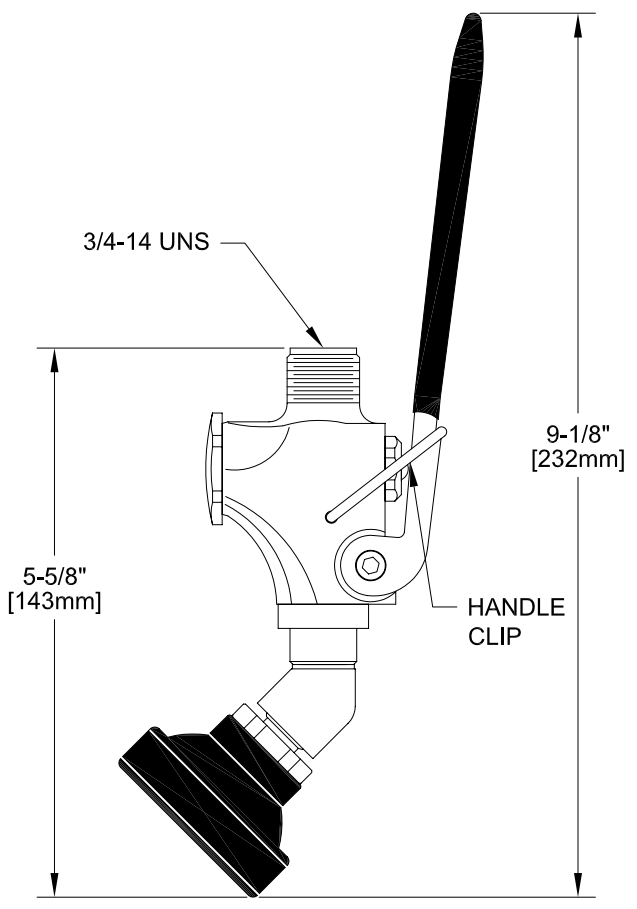
FEATURES

- ULTRA SPRAY VALVE
- * LOWEST ENERGY USER - 1.15 GPM @ 60 PSI
 - * CLEANS FASTER - TEST PROVEN
 - * ENGINEERED TO LAST - NO 'O' RINGS TO LEAK
 - * INTERCHANGEABLE - FITS ALL BRANDS
 - * BLACK DISHGUARD BUMPER
 - * BUILT-IN HANDLE SPRAY CLIP

- SYSTEM LIMITS
- * TEMP: 40°F MIN. TO 140°F MAX.
 - * PRESSURE: 200 PSI MAX. STATIC
 - * 1.15 GPM AT 60 PSI

SHIPPING WEIGHT * 2.0 LBS

* NSF 61-9 APPROVED & LISTED www.truesdail.com



FISHER
 FISHER MANUFACTURING COMPANY
 TOLL FREE: 800-421-6162 - FAX: 800-832-8238
information@fisher-mfg.com - www.fisher-mfg.com