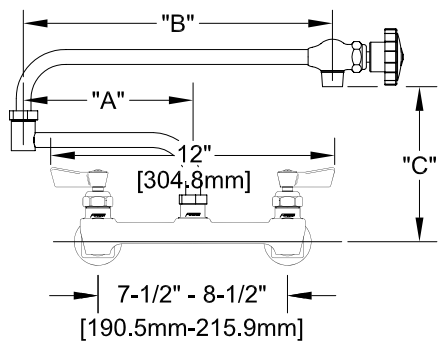
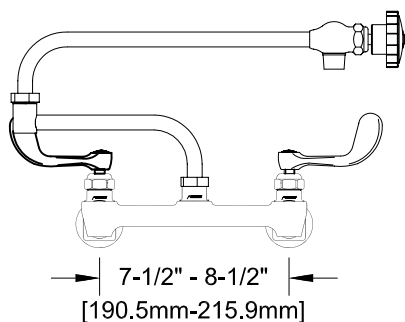


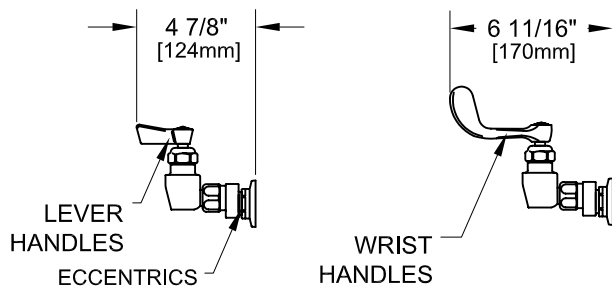
7-1/2" - 8-1/2" ADJ. WALL W/ LEVER HANDLES



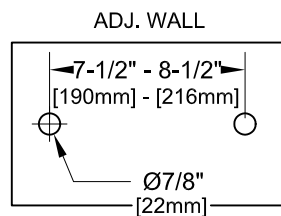
7-1/2" - 8-1/2" ADJ. WALL W/ WRIST HANDLES



7-1/2" - 8-1/2" ADJ. WALL



ROUGH-IN:



ANSI/A112.18.1-2005

PRODUCT NAME:

STAINLESS STEEL 7-1/2" - 8-1/2" ADJUSTABLE WALL FAUCET WITH 12" CONTROL SWING & DJ SPOUT

MODEL:

- 54100 W/ 12" CONTROL SWING SPOUT, 7" DJ W/ LEVER HANDLES
- 54801 W/ 12" CONTROL SWING SPOUT, 12" DJ W/ LEVER HANDLES
- 57614 W/ 12" CONTROL SWING SPOUT, 7" DJ W/ WRIST HANDLES
- 57622 W/ 12" CONTROL SWING SPOUT, 12" DJ W/ WRIST HANDLES

FEATURES

CONTROL VALVE

- * 8-1/2" ADJUSTABLE WALL MOUNT
- * ECCENTRICS
- * STAINLESS STEEL CONSTRUCTION
- * SWIVELLING SEAT DISKS
- * HOT SIDE STEM - RIGHT HAND
- * COLD SIDE STEM - LEFT HAND
- * LEVER HANDLES OR WRIST HANDLES
- * CONTROL SWING SPOUT

SYSTEM LIMITS

- * TEMP: 40°F MIN. TO 140°F MAX.
- * 5 GPM @ 60 PSI

SHIPPING WEIGHT

- * 6.0 LBS

* NSF 61-9 APPROVED & LISTED

www.truesdail.com

MODELS	DIM "A"	DIM "B"	DIM "C"
54100 57614	7" [177.8mm]	12 1/2" [317.5mm]	7 1/2" [190.5mm]
54801 57622	12" [308.4mm]	12 1/2" [317.5mm]	7 1/2" [190.5mm]

FISHER

FISHER MANUFACTURING COMPANY

TOLL FREE: 800-421-6162 - FAX: 800-832-8238

information@fisher-mfg.com - www.fisher-mfg.com