

APPLICATION:

JOB NAME:

QUANTITY: **ITEM NO.**

PRODUCT NAME:

SINGLE WALL MOUNT CONTROL VALVE

_____ **SPECIAL CONFIGURATION**
CHECK BASE MODEL AND OPTIONS

MODEL:

5700

OPTIONS OR MODIFICATIONS:

HANDLES (CROSS OR WRIST) CIRCLE STYLE

VANDAL RESISTANT KIT

OTHER _____

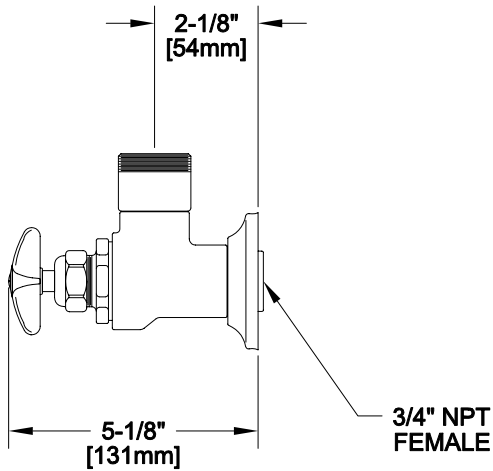
FEATURES

- CONTROL VALVE**
- * SINGLE WALL MOUNT
 - * SWIVEL OUTLET
 - * SWIVELLING SEAT DISK
 - * STEM - RIGHT HAND
 - * STAINLESS STEEL SEAT
 - * STAINLESS STEEL SEAT SCREW
 - * STAINLESS STEEL HANDLE SCREW
 - * HOT AND COLD INDEX BUTTONS

- SYSTEM LIMITS**
- * TEMP: 40°F MIN. TO 140°F MAX.
 - * PRESSURE: 200 PSI MAX. STATIC
 - * 23 GPM AT 80 PSI

SHIPPING WEIGHT

* 7.0 LBS



ROUGH-IN:

