

APPLICATION:

JOB NAME:

PRODUCT NAME:

SINGLE WALL FAUCET

SPECIAL CONFIGURATION  
CHECK BASE MODEL AND OPTIONS

QUANTITY:

ITEM NO.

MODEL:

5712 W/10" SWING SPOUT

5714 W/14" SWING SPOUT

OPTIONS OR MODIFICATIONS:

SUPPLY LINES (24" OR 36") CIRCLE LENGTH

NIPPLES

ELBOWS

HANDLES (CROSS OR WRIST) CIRCLE STYLE

VANDAL RESISTANT KIT

OTHER \_\_\_\_\_

FEATURES:

- \* SINGLE WALL
- \* SWIVELLING SEAT DISKS
- \* STEM - RIGHT HAND
- \* STAINLESS STEEL SEATS
- \* STAINLESS STEEL SEAT SCREWS
- \* STAINLESS STEEL HANDLE SCREWS
- \* HOT & COLD INDEX BUTTONS

RECOMMENDED SETTINGS

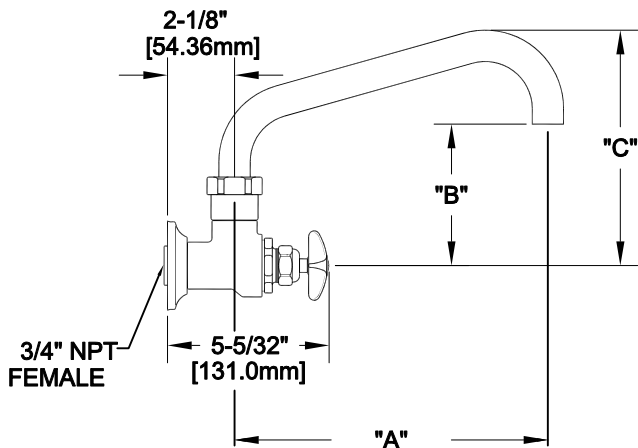
- \* 110°F AT 80 PSI

SYSTEM LIMITS

- \* TEMP: 40°F MIN. TO 140°F MAX.
- \* PRESSURE 200 PSI MAX. STATIC
- \* 29 GPM @ 80 PSI

SHIPPING WEIGHT

- \* 8.5 LBS



MODEL	DIM "A"	DIM "B"	DIM "C"
5712	10" [254.0mm]	4-1/2" [114.6mm]	7-1/2" [190.8mm]
5714	14" [355.6mm]	5-5/8" [143.2mm]	8-5/8" [219.4mm]

ROUGH-IN:

