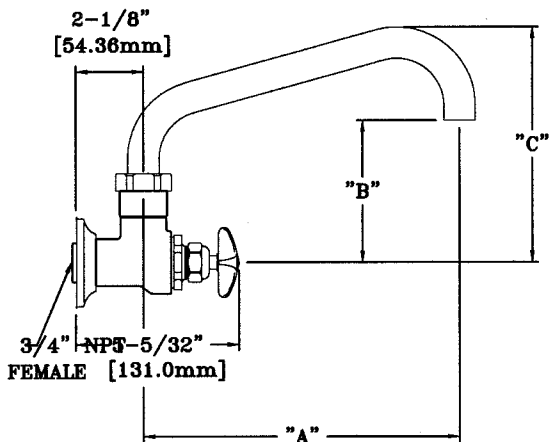


PRODUCT NAME:

SINGLE WALL FAUCET



- _____ SPECIAL CONFIGURATION
(CHECK BASE MODEL AND OPTIONS)

MODEL:

- 5712 W/10" SWING SPOUT
- 5714 W/14" SWING SPOUT

OPTIONS OR MODIFICATIONS:

- VANDAL RESISTANT KIT
- HANDLES (LEVER OR WRIRST) CIRCLE STYLE
- OTHER _____

FEATURES:

- * SINGLE WALL
- * SWIVELLING SEAT DISKS
- * STEM - RIGHT HAND
- * STAINLESS STEEL SEATS
- * STAINLESS STEEL SEAT SCREWS
- * STAINLESS STEEL HANDLE SCREWS
- * HOT & COLD INDEX BUTTONS

MODEL	DIM "A"	DIM "B"	DIM "B"
5712	10" [254.0mm]	4-1/2" [114.6mm]	7-1/2" [190.8mm]
5714	14" [355.6mm]	5-5/8" [143.2mm]	8-5/8" [219.4mm]

RECOMMENDED SETTINGS

- * 110°F AT 80 PSI

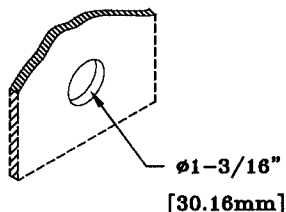
SYSTEM LIMITS

- * TEMP: 40°F MIN. TO 140°F MAX.
- * PRESSURE 200 PSI MAX. STATIC
- * 29 GPM @ 80 PSI

SHIPPING WEIGHT

- * 8.5 LBS

ROUGH-IN:



ANSI/A112.18.1M

FISHER MANUFACTURING COMPANY